

# HEMISPHERE DOMES

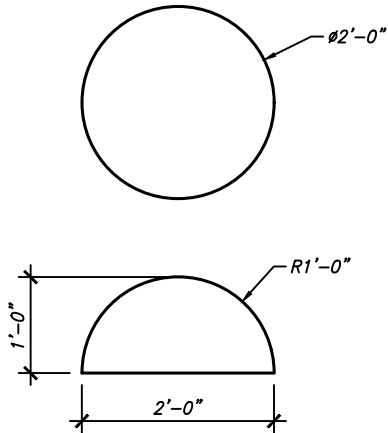


**ARCHITECTURAL FIBERGLASS, INC.**

8300 Bessemer Ave. \* Cleveland, OH 44127-1839 \* 216-641-8300 \* Fax 216-641-8150 \* [www.fiberglass-afi.com](http://www.fiberglass-afi.com)

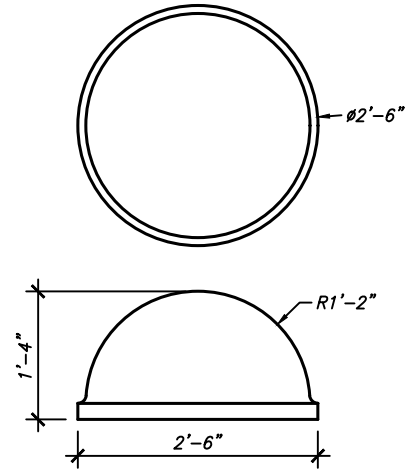
A-219

HEIGHT: 1'-0"  
WIDTH: 2'-0"



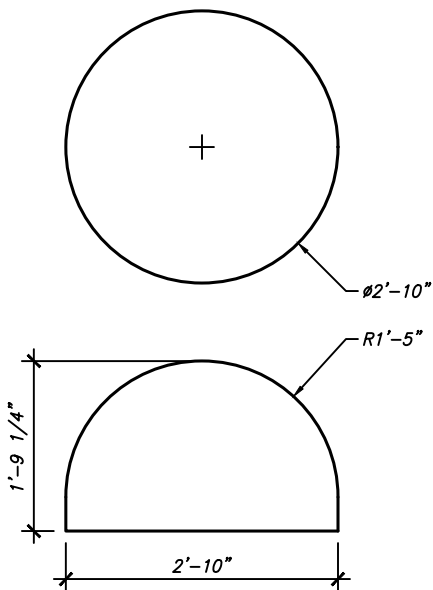
A-260

HEIGHT: 1'-4"  
WIDTH: 2'-6"



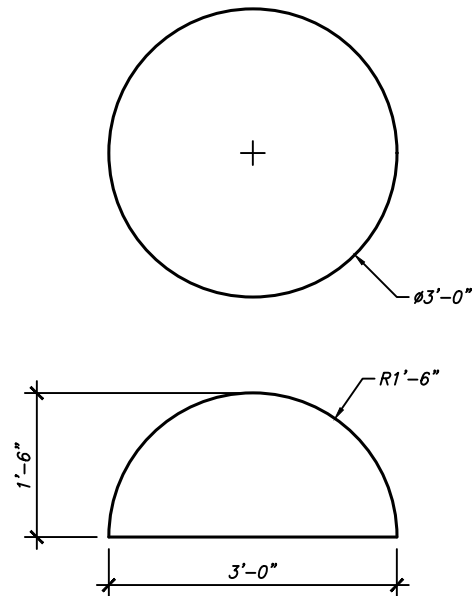
A-142

HEIGHT: 1'-9 1/4"  
WIDTH: 2'-10"



A-167

HEIGHT: 1'-6"  
WIDTH: 3'-0"



HEMI DOMES

SHEET NO.

A-01

2025

HEMISPHERE  
DOMES

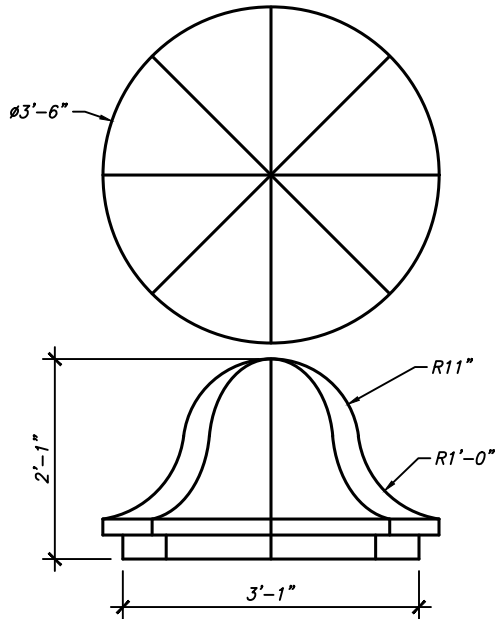


ARCHITECTURAL FIBERGLASS, INC.

8300 BESSEMER AVE., CLEVELAND, OHIO 44127-1839  
(216) 641-8300 - FAX:(216) 641-8150  
www.fiberglass-afi.com

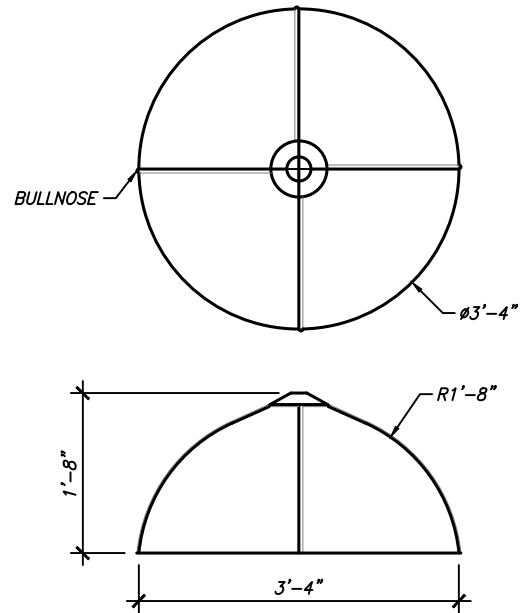
A-200

HEIGHT: 2'-1"  
WIDTH: 3'-1"



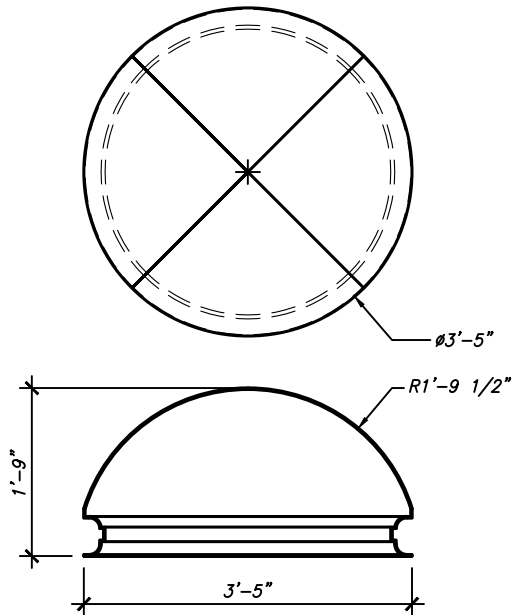
A-124

HEIGHT: 1'-8"  
WIDTH: 3'-4"



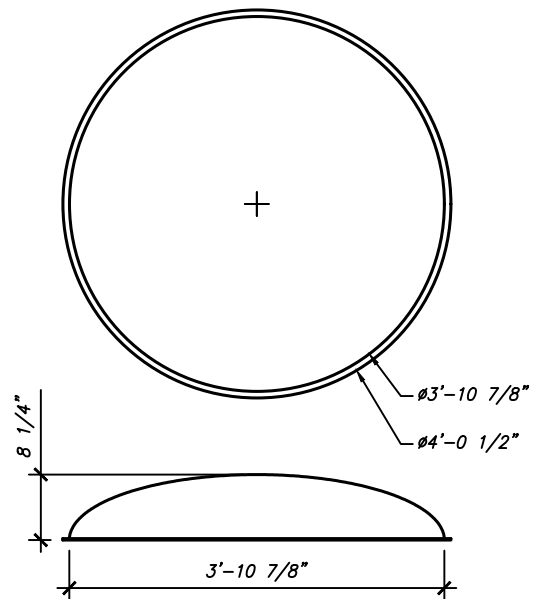
A-143

HEIGHT: 1'-9"  
WIDTH: 3'-5"



A-206

HEIGHT: 8 1/4"  
WIDTH: 3'-10 7/8"



HEMI DOMES

SHEET NO.

A-02

2025

HEMISPHERE  
DOMES

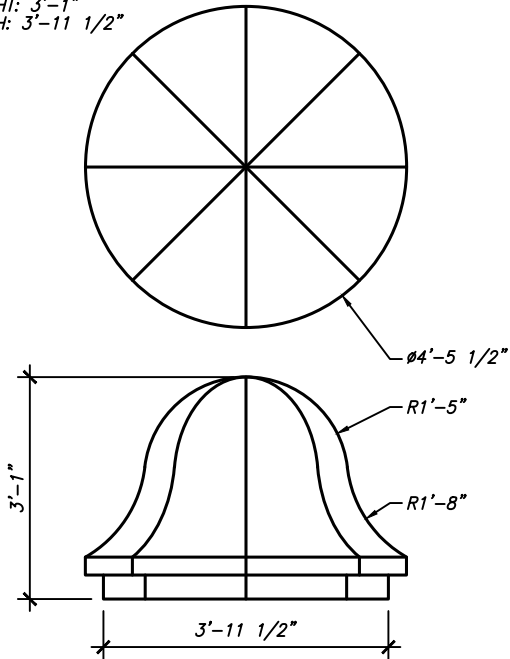


ARCHITECTURAL FIBERGLASS, INC.

8300 BESSEMER AVE., CLEVELAND, OHIO 44127-1839  
(216) 641-8300 - FAX:(216) 641-8150  
www.fiberglass-afi.com

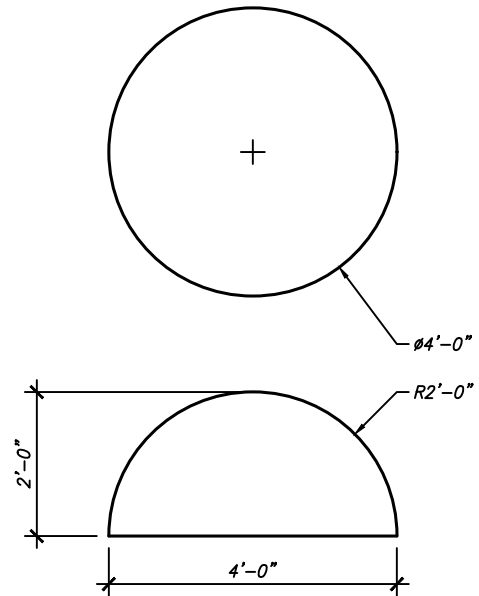
A-201

HEIGHT: 3'-1"  
WIDTH: 3'-11 1/2"



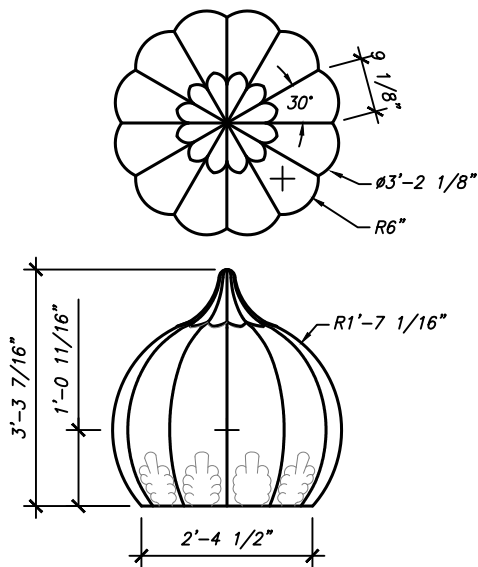
A-140

HEIGHT: 2'-0"  
WIDTH: 4'-0"



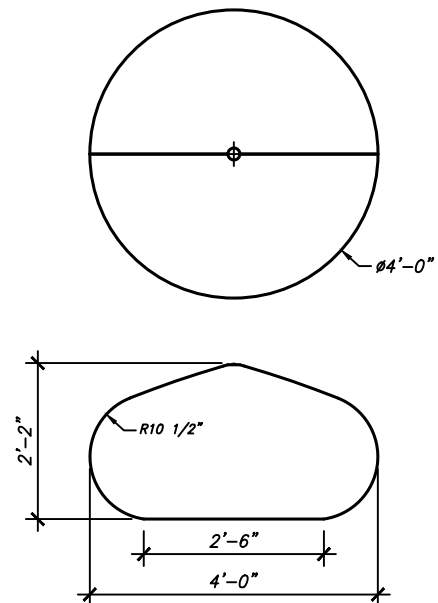
A-261

HEIGHT: 3'-3 7/16"  
WIDTH: 2'-4 1/2"



A-266

HEIGHT: 2'-2"  
WIDTH: 4'-0"



HEMI DOMES

SHEET NO.

A-03

2025

HEMISPHERE  
DOMES

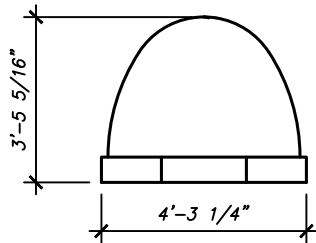
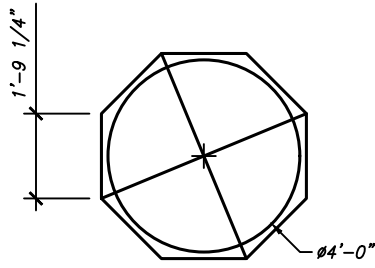


ARCHITECTURAL FIBERGLASS, INC.

8300 BESSEMER AVE., CLEVELAND, OHIO 44127-1839  
(216) 641-8300 - FAX:(216) 641-8150  
www.fiberglass-afi.com

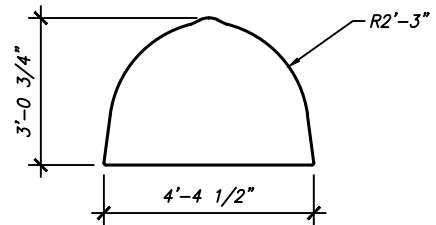
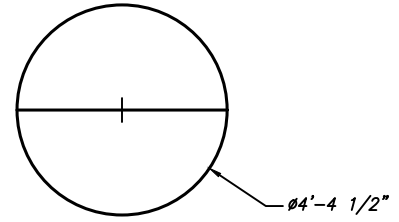
A-189

HEIGHT: 3'-5 5/16"  
WIDTH: 4'-3 1/4"



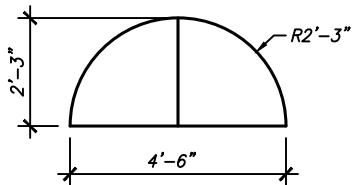
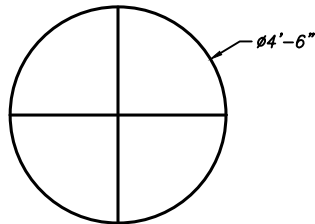
A-144

HEIGHT: 3'-0 3/4"  
WIDTH: 4'-4 1/2"



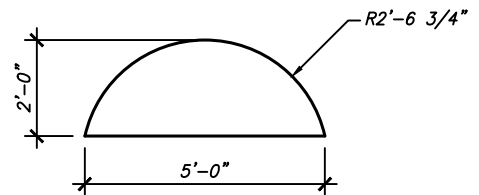
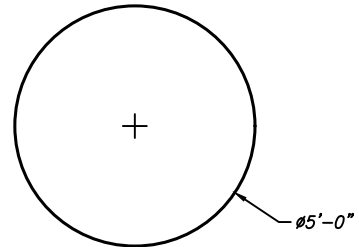
A-262

HEIGHT: 2'-3"  
WIDTH: 4'-6"



A-164

HEIGHT: 2'-0"  
WIDTH: 5'-0"



HEMI DOMES

SHEET NO.

A-04

2025

HEMISPHERE  
DOMES

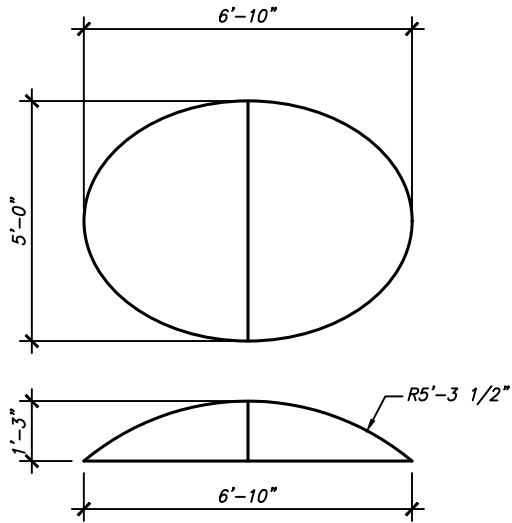


ARCHITECTURAL FIBERGLASS, INC.

8300 BESSEMER AVE., CLEVELAND, OHIO 44127-1839  
(216) 641-8300 - FAX:(216) 641-8150  
www.fiberglass-afi.com

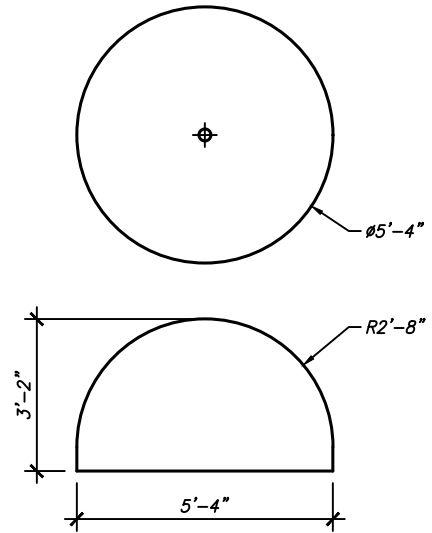
A-241

HEIGHT: 1'-3"  
WIDTH: 5'-0" x 6'-10"



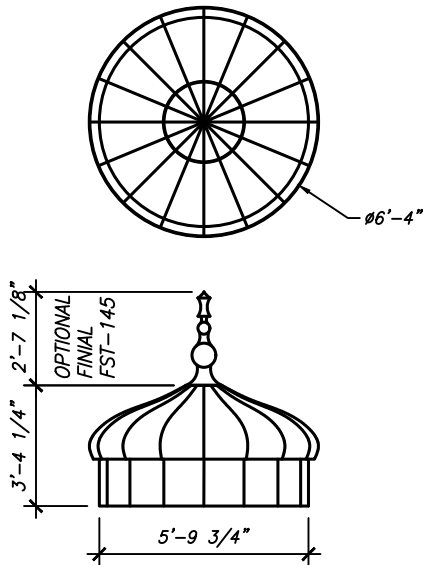
A-101

HEIGHT: 3'-2"  
WIDTH: 5'-4"



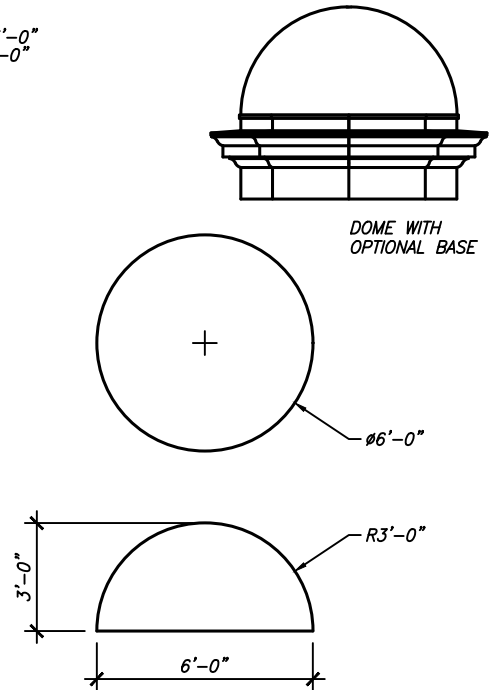
A-138

HEIGHT: 3'-4 1/4"  
WIDTH: 5'-9 3/4"



A-130

HEIGHT: 3'-0"  
WIDTH: 6'-0"



HEMI DOMES

SHEET NO.

A-05

2025

HEMISPHERE  
DOMES

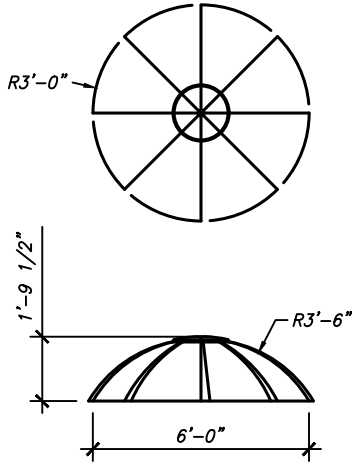


ARCHITECTURAL FIBERGLASS, INC.

8300 BESSEMER AVE., CLEVELAND, OHIO 44127-1839  
(216) 641-8300 - FAX:(216) 641-8150  
www.fiberglass-afi.com

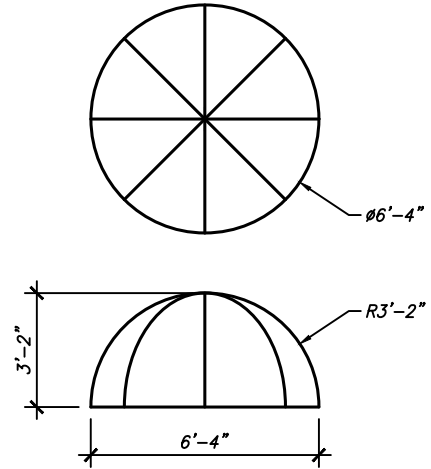
A-281

HEIGHT: 1'-9 1/2"  
WIDTH: 6'-0"



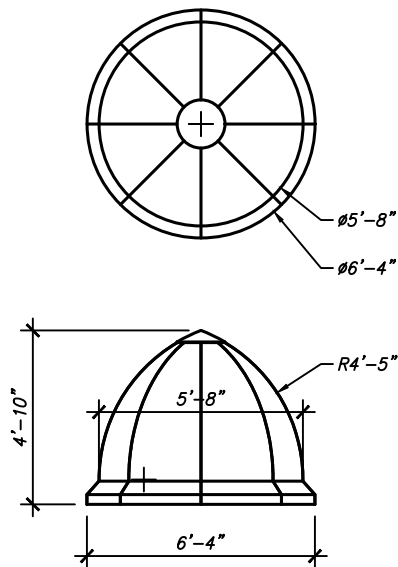
A-139

HEIGHT: 3'-2"  
WIDTH: 6'-4"



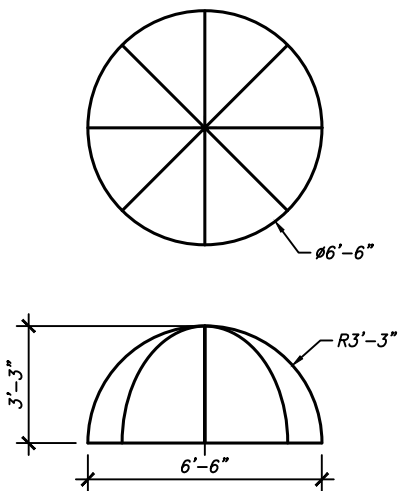
A-256

HEIGHT: 4'-11 1/4"  
WIDTH: 6'-4"



A-267

HEIGHT: 3'-4"  
WIDTH: 6'-6"



HEMI DOMES

SHEET NO.

A-06

2025

HEMISPHERE  
DOMES

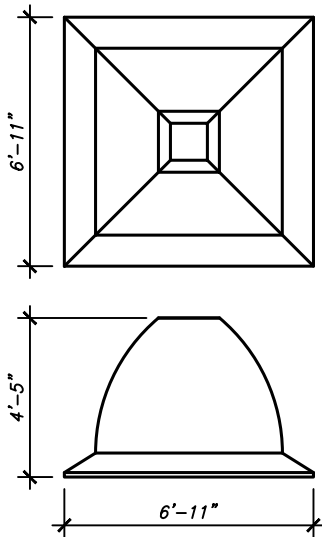


ARCHITECTURAL FIBERGLASS, INC.

8300 BESSEMER AVE., CLEVELAND, OHIO 44127-1839  
(216) 641-8300 - FAX:(216) 641-8150  
www.fiberglass-afi.com

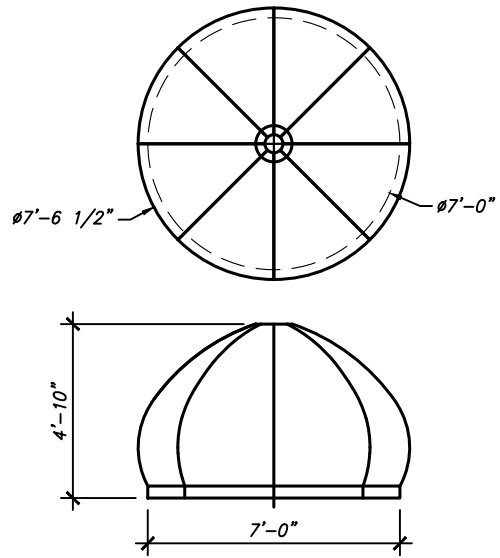
A-278

HEIGHT: 4'-5"  
WIDTH: 6'-11"



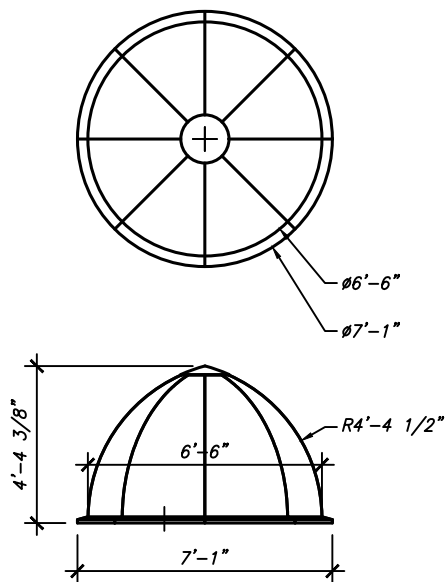
A-274

HEIGHT: 4'-10"  
WIDTH: 7'-6 1/2"



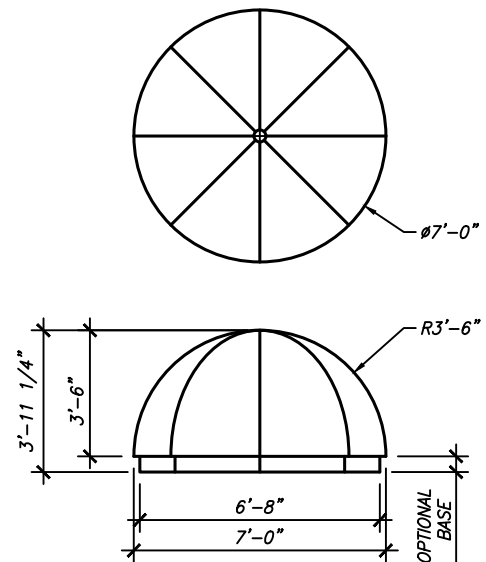
A-255

HEIGHT: 4'-4 3/8"  
WIDTH: 6'-6"



A-174

HEIGHT: 3'-11 1/4"  
WIDTH: 6'-8"



HEMI DOMES

SHEET NO.

A-07

2025

HEMISPHERE  
DOMES



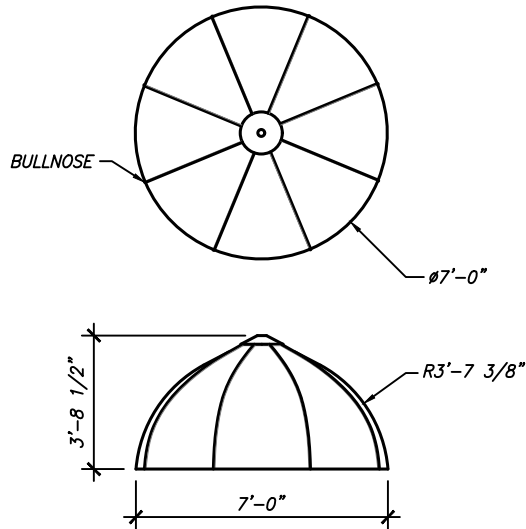
ARCHITECTURAL FIBERGLASS, INC.

8300 BESSEMER AVE., CLEVELAND, OHIO 44127-1839  
(216) 641-8300 - FAX:(216) 641-8150  
www.fiberglass-afi.com



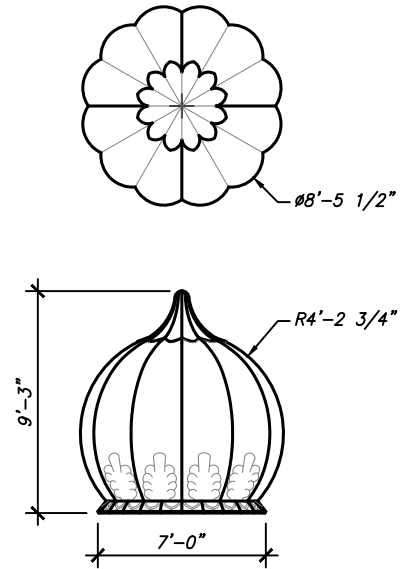
A-103

HEIGHT: 3'-8 1/2"  
WIDTH: 7'-0"



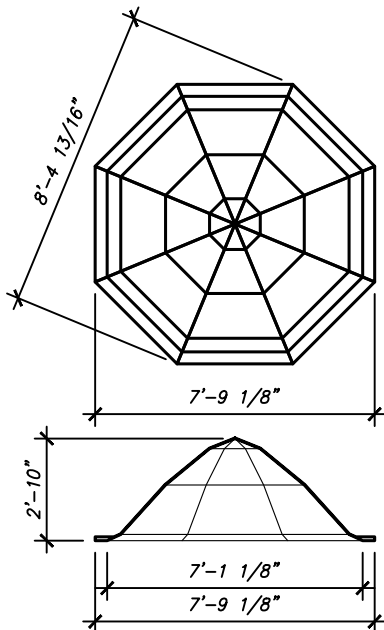
A-134

HEIGHT: 9'-3"  
WIDTH: 7'-0"



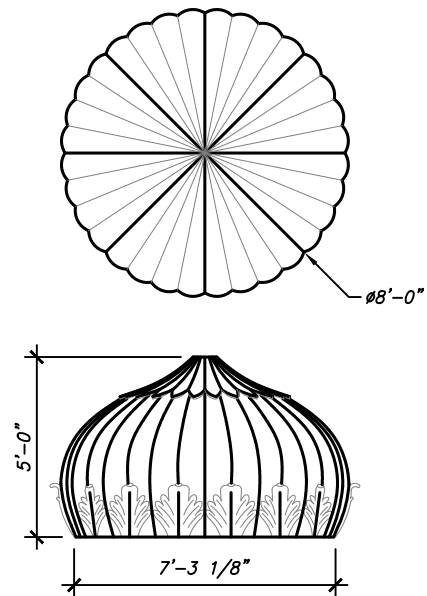
A-280int (GOES w/A-279)

HEIGHT: 2'-10"  
WIDTH: 7'-1 1/8"



A-136

HEIGHT: 5'-0"  
WIDTH: 7'-3 1/8"



HEMI DOMES

SHEET NO.

A-08

2025

HEMISPHERE  
DOMES

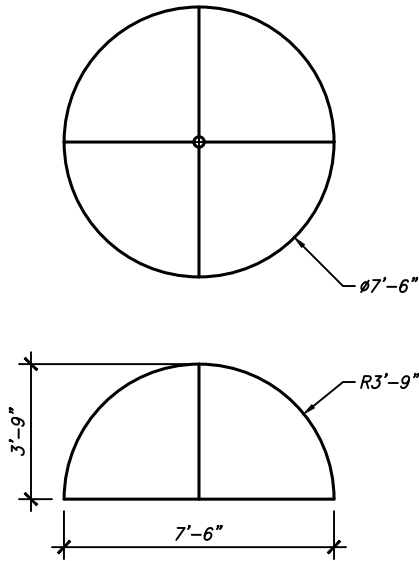


ARCHITECTURAL FIBERGLASS, INC.

8300 BESSEMER AVE., CLEVELAND, OHIO 44127-1839  
(216) 641-8300 - FAX:(216) 641-8150  
www.fiberglass-afi.com

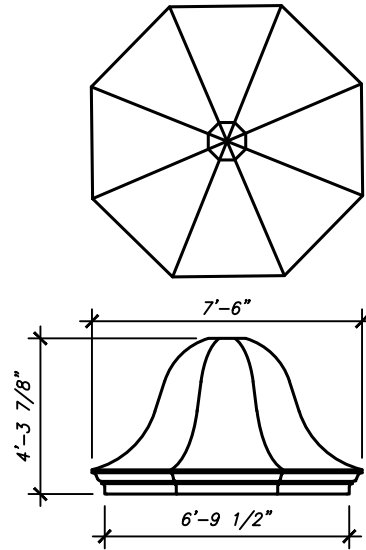
A-106

HEIGHT: 3'-9"  
WIDTH: 7'-6"



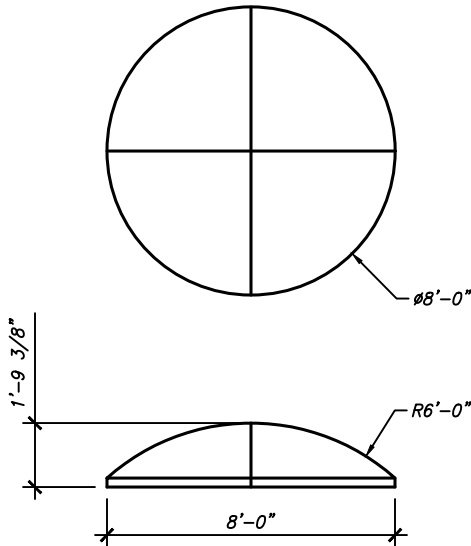
A-276

HEIGHT: 4'-3 7/8"  
WIDTH: 7'-6"



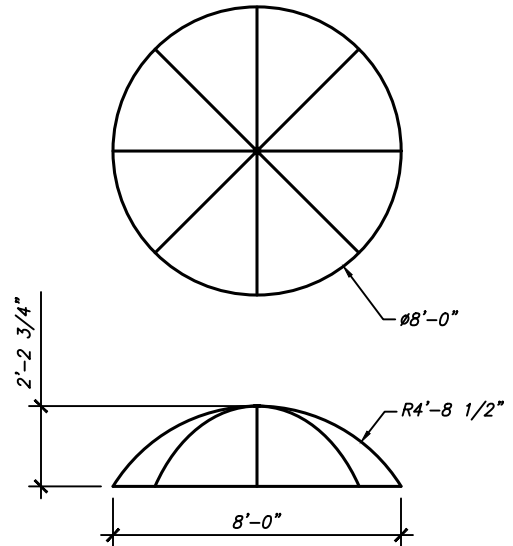
A-244

HEIGHT: 1'-9 3/8"  
WIDTH: 8'-0"



A-121

HEIGHT: 2'-2 3/4"  
WIDTH: 8'-0"



HEMI DOMES

SHEET NO.

A-09

2025

HEMISPHERE  
DOMES

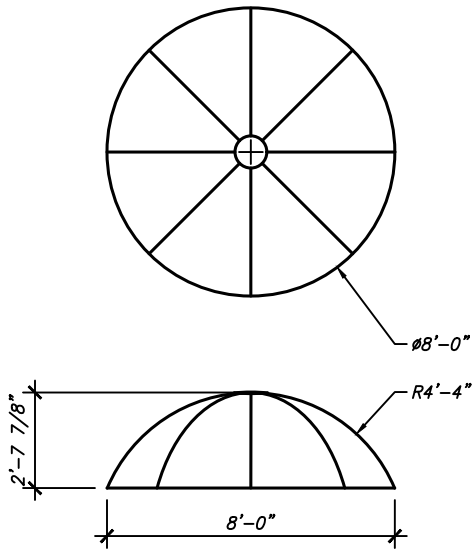


ARCHITECTURAL FIBERGLASS, INC.

8300 BESSEMER AVE., CLEVELAND, OHIO 44127-1839  
(216) 641-8300 - FAX:(216) 641-8150  
www.fiberglass-afi.com

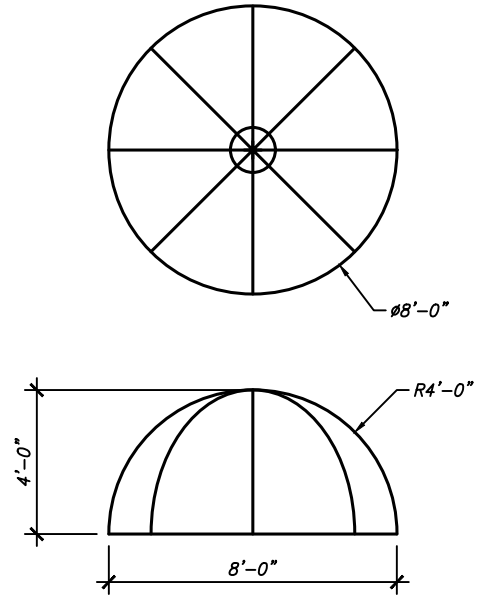
A-129

HEIGHT: 2'-7 7/8"  
WIDTH: 8'-0"



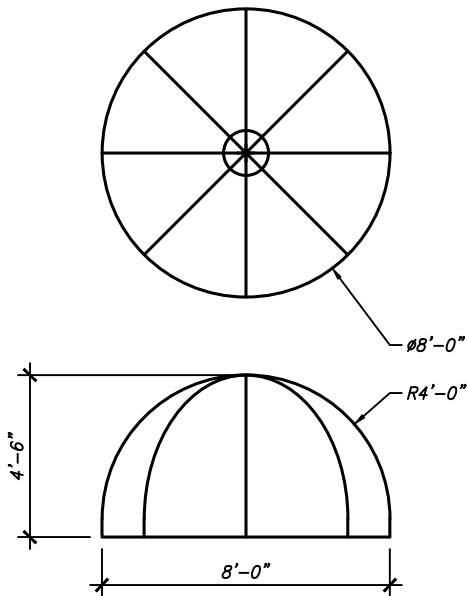
A-169

HEIGHT: 4'-0"  
WIDTH: 8'-0"



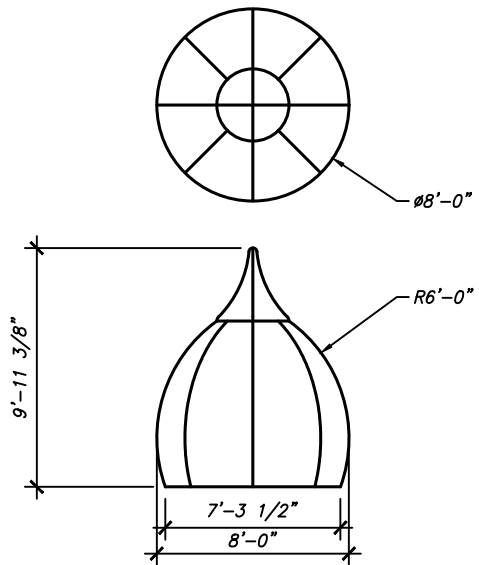
A-153

HEIGHT: 4'-6"  
WIDTH: 8'-0"



A-250

HEIGHT: 9'-11 3/8"  
WIDTH: 8'-0"



HEMI DOMES

SHEET NO.

A-10

2025

HEMISPHERE  
DOMES

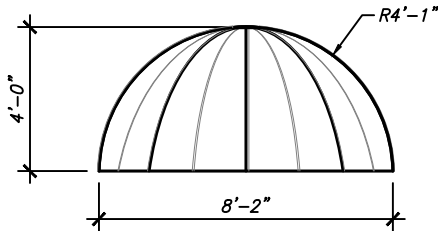
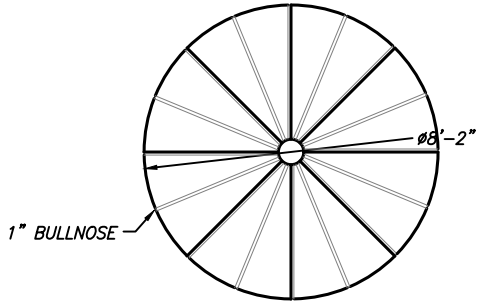


ARCHITECTURAL FIBERGLASS, INC.

8300 BESSEMER AVE., CLEVELAND, OHIO 44127-1839  
(216) 641-8300 - FAX:(216) 641-8150  
www.fiberglass-afi.com

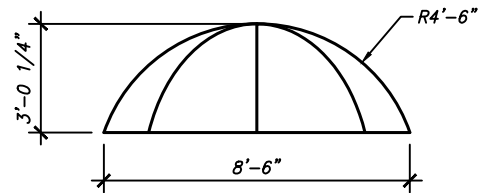
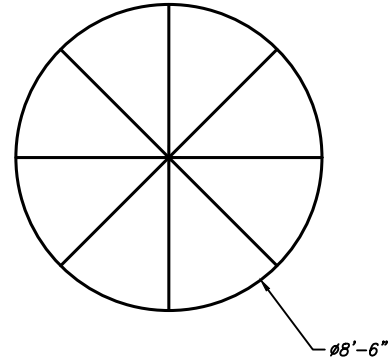
A-131

HEIGHT: 2'-10 1/2"  
WIDTH: 8'-2"



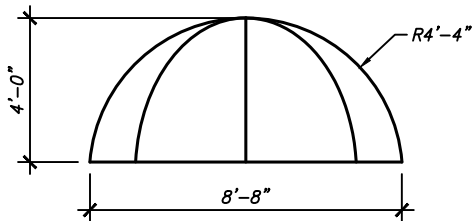
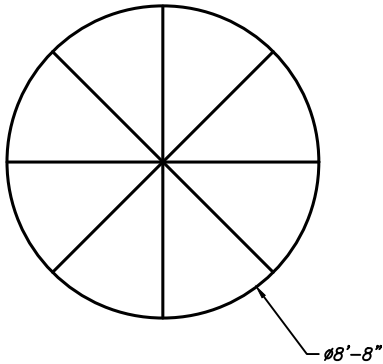
A-210

HEIGHT: 3'-0 1/4"  
WIDTH: 8'-6"



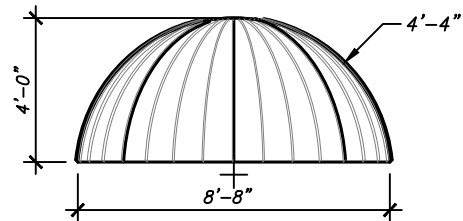
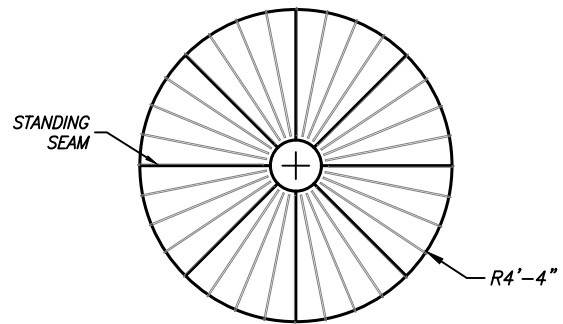
A-114

HEIGHT: 4'-4"  
WIDTH: 8'-8"



A-264

HEIGHT: 4'-4"  
WIDTH: 8'-8"



HEMI DOMES

SHEET NO.

A-11

2025

HEMISPHERE  
DOMES

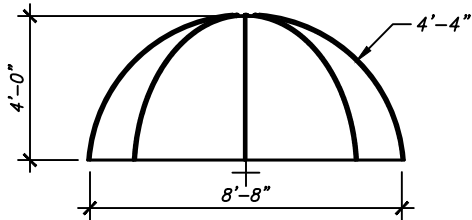
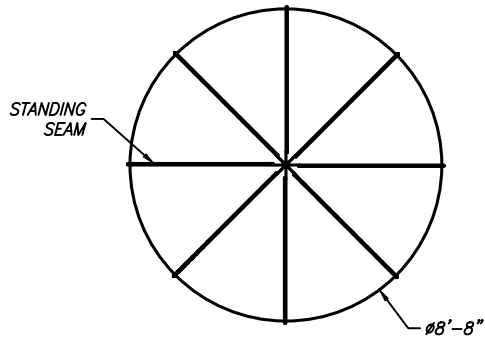


ARCHITECTURAL FIBERGLASS, INC.

8300 BESSEMER AVE., CLEVELAND, OHIO 44127-1839  
(216) 641-8300 - FAX:(216) 641-8150  
www.fiberglass-afi.com

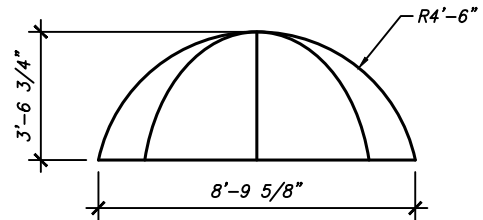
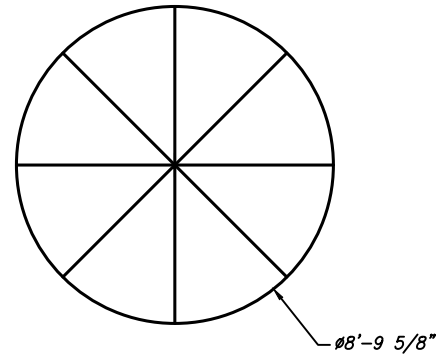
A-194

HEIGHT: 4'-0"  
WIDTH: 8'-8"



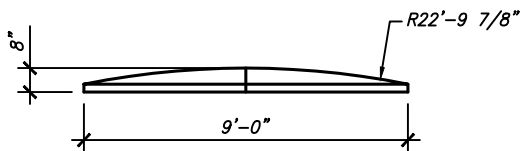
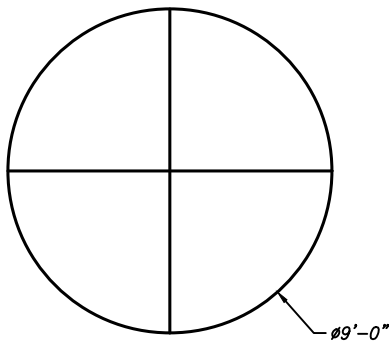
A-160

HEIGHT: 3'-6 3/4"  
WIDTH: 8'-9 5/8"



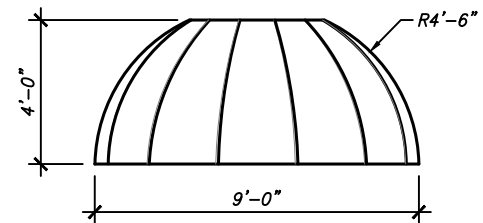
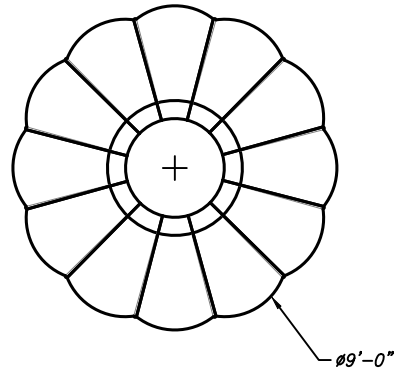
A-220

HEIGHT: 8"  
WIDTH: 9'-0"



A-132

HEIGHT: 4'-0"  
WIDTH: 9'-0"



HEMI DOMES

SHEET NO.

A-12

2025

HEMISPHERE  
DOMES

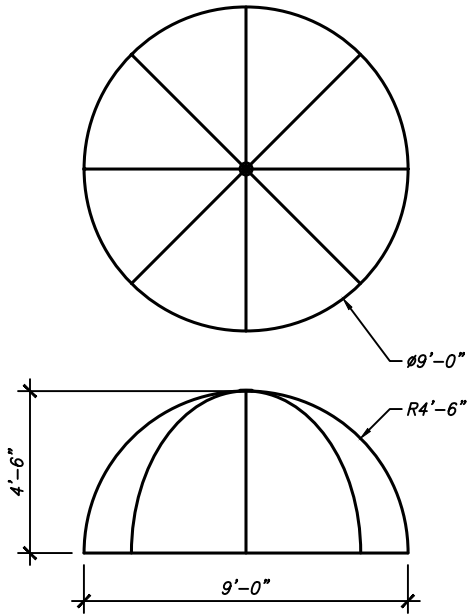


ARCHITECTURAL FIBERGLASS, INC.

8300 BESSEMER AVE., CLEVELAND, OHIO 44127-1839  
(216) 641-8300 - FAX:(216) 641-8150  
www.fiberglass-afi.com

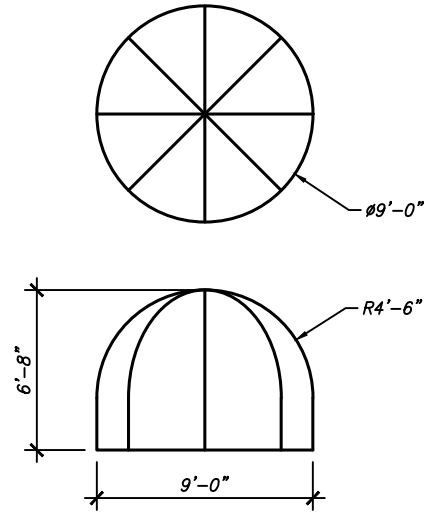
A-119

HEIGHT: 4'-6"  
WIDTH: 9'-0"



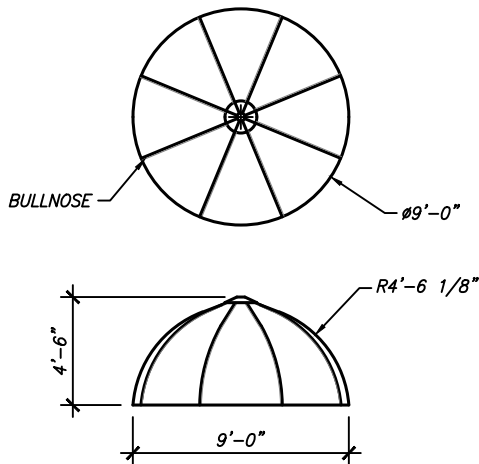
A-193

HEIGHT: 6'-8"  
WIDTH: 9'-0"



A-123

HEIGHT: 4'-6"  
WIDTH: 9'-0"



INTENTIONALLY LEFT BLANK

HEMI DOMES

SHEET NO.

A-13

2025

HEMISPHERE  
DOMES

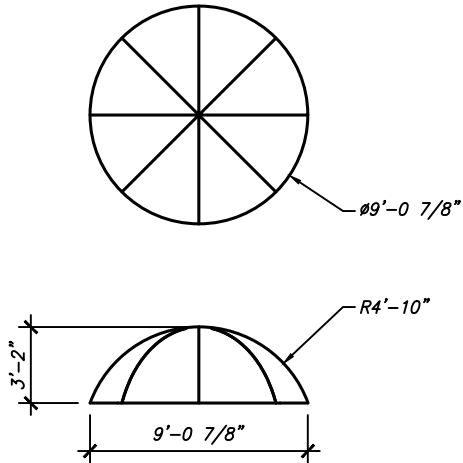


ARCHITECTURAL FIBERGLASS, INC.

8300 BESSEMER AVE., CLEVELAND, OHIO 44127-1839  
(216) 641-8300 - FAX:(216) 641-8150  
www.fiberglass-afi.com

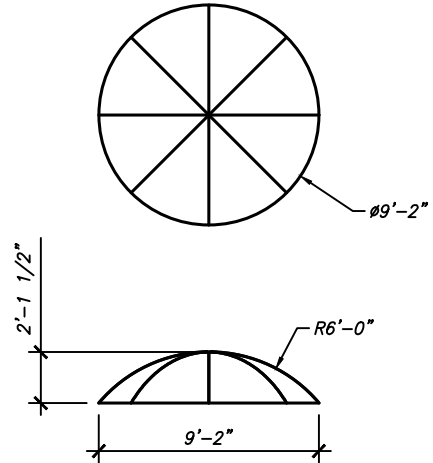
A-207

HEIGHT: 3'-2"  
WIDTH: 9'-0 7/8"



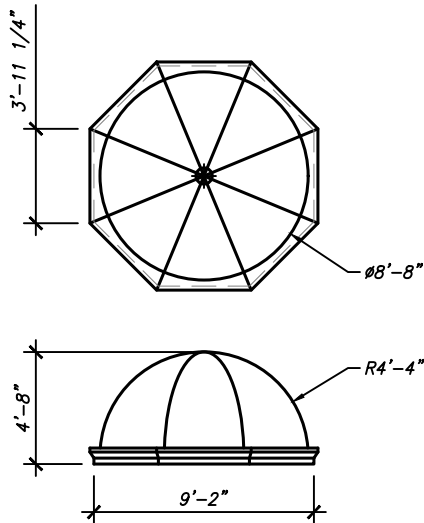
A-218

HEIGHT: 2'-1 1/2"  
WIDTH: 9'-2"



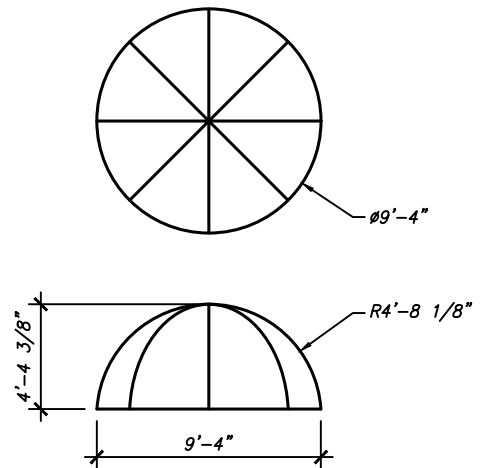
A-109

HEIGHT: 4'-8"  
WIDTH: 9'-2"



A-205

HEIGHT: 4'-4 3/8"  
WIDTH: 9'-4"



HEMI DOMES

SHEET NO.

A-14

2025

HEMISPHERE  
DOMES

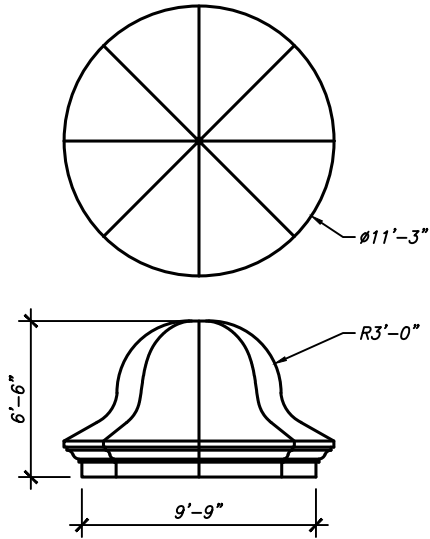


ARCHITECTURAL FIBERGLASS, INC.

8300 BESSEMER AVE., CLEVELAND, OHIO 44127-1839  
(216) 641-8300 - FAX:(216) 641-8150  
www.fiberglass-afi.com

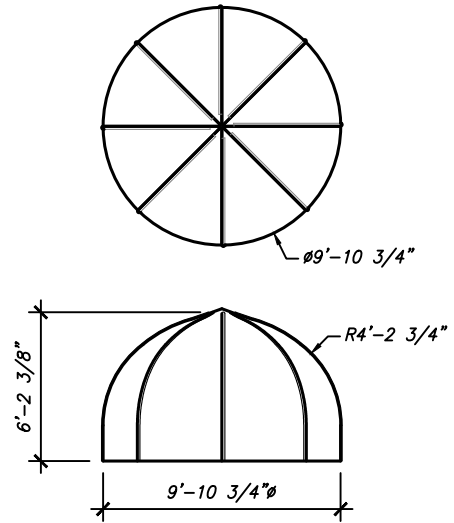
A-156

HEIGHT: 6'-6"  
WIDTH: 9'-9"



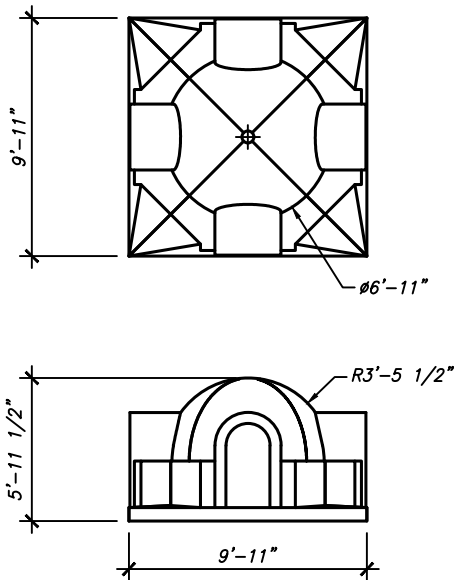
A-287

HEIGHT: 6'-2 3/8"  
WIDTH: 9'-10 3/4"



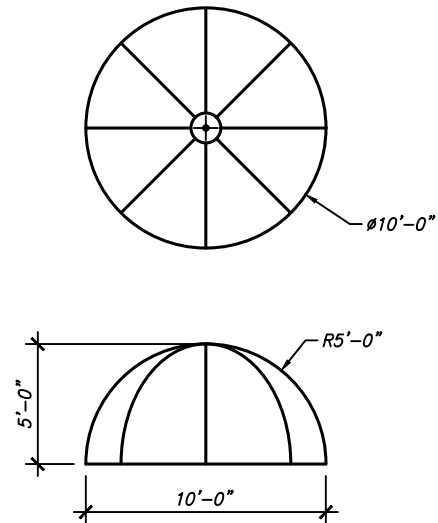
A-232

HEIGHT: 5'-11 1/2"  
WIDTH: 9'-11"



A-125

HEIGHT: 5'-0"  
WIDTH: 10'-0"



HEMI DOMES

SHEET NO.

A-15

2025

HEMISPHERE  
DOMES



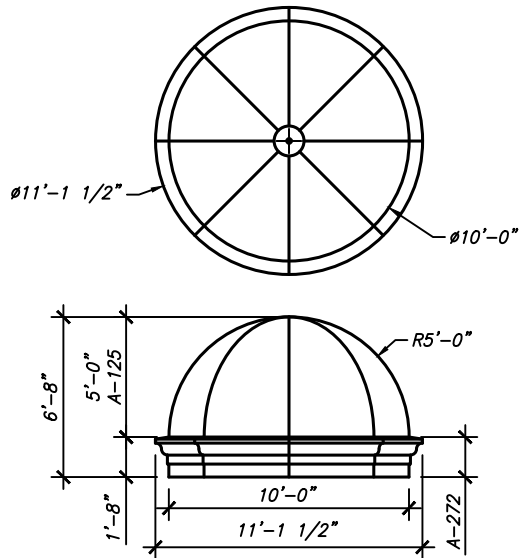
ARCHITECTURAL FIBERGLASS, INC.

8300 BESSEMER AVE., CLEVELAND, OHIO 44127-1839  
(216) 641-8300 - FAX:(216) 641-8150  
www.fiberglass-afi.com



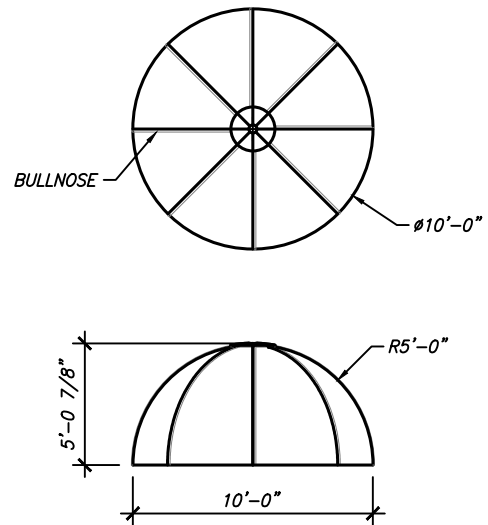
A-272

HEIGHT: 1'-8"  
WIDTH: 11'-1 1/2"  
FOOTPRINT: 10'-0"



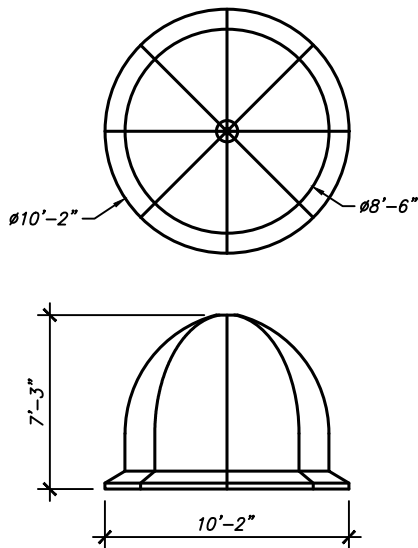
A-179

HEIGHT: 5'-0 7/8"  
WIDTH: 10'-0"



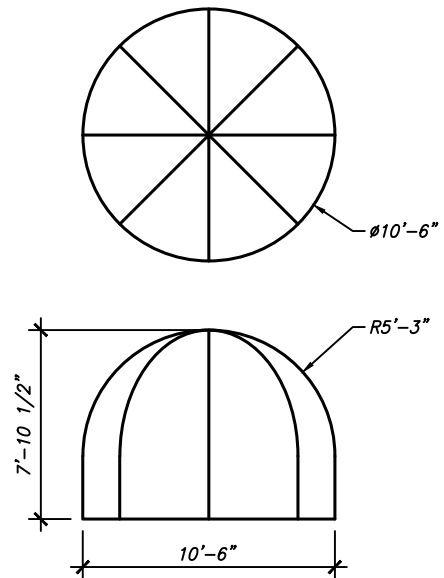
A-268

HEIGHT: 7'-3"  
WIDTH: 10'-2"



A-158

HEIGHT: 7'-10 1/2"  
WIDTH: 10'-6"



HEMI DOMES

SHEET NO.

**A-16**

2025

HEMISPHERE  
DOMES

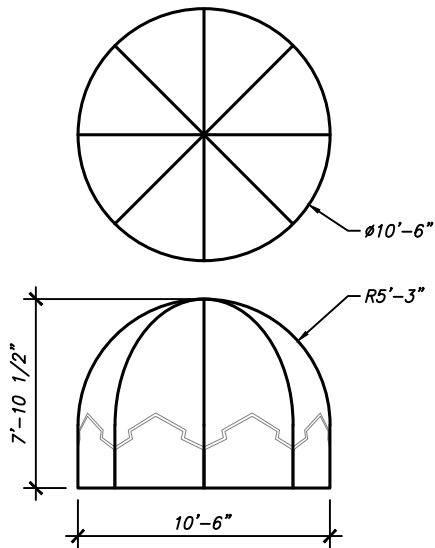


**ARCHITECTURAL FIBERGLASS, INC.**

8300 BESSEMER AVE., CLEVELAND, OHIO 44127-1839  
(216) 641-8300 - FAX:(216) 641-8150  
www.fiberglass-afi.com

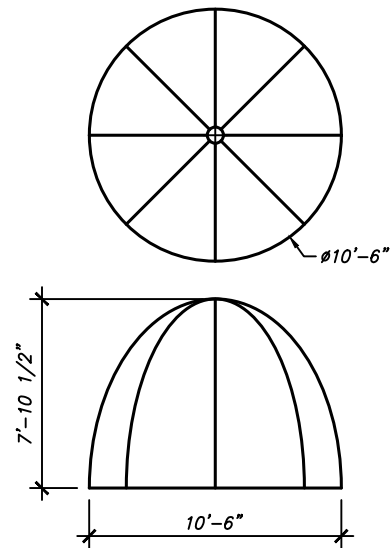
A-159

HEIGHT: 7'-10 1/2"  
WIDTH: 10'-6"



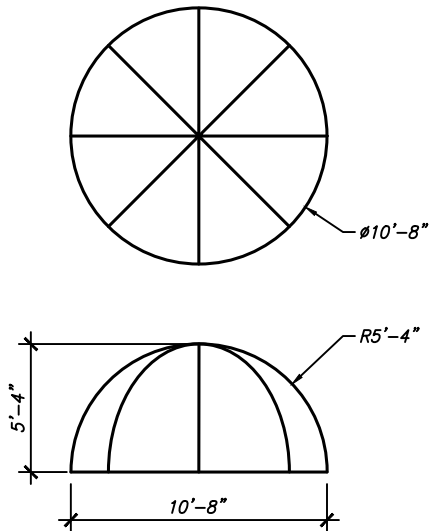
A-289

HEIGHT: 7'-10 1/2"  
WIDTH: 10'-6"



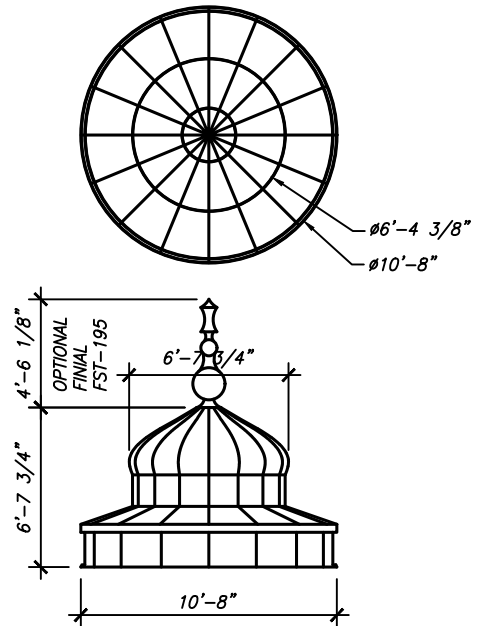
A-178

HEIGHT: 5'-4"  
WIDTH: 10'-8"



A-137

HEIGHT: 6'-7 3/4"  
WIDTH: 10'-8"



HEMI DOMES

SHEET NO.

A-17

2025

HEMISPHERE  
DOMES

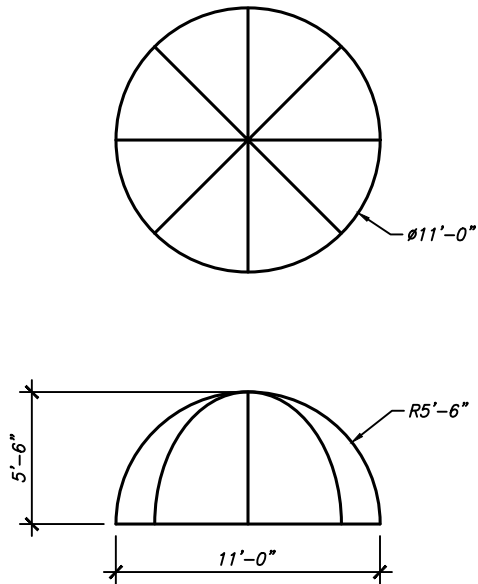


ARCHITECTURAL FIBERGLASS, INC.

8300 BESSEMER AVE., CLEVELAND, OHIO 44127-1839  
(216) 641-8300 - FAX:(216) 641-8150  
www.fiberglass-afi.com

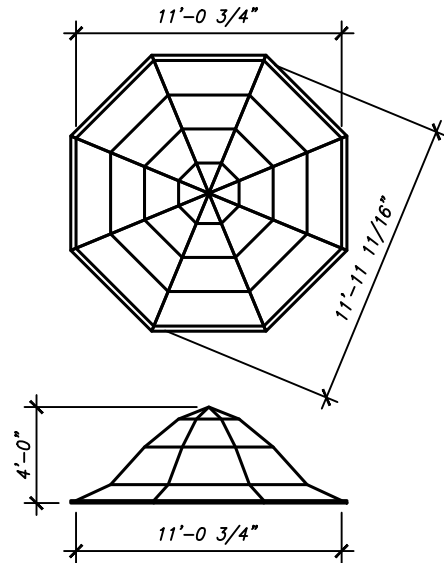
A-230

HEIGHT: 5'-6"  
WIDTH: 11'-0"



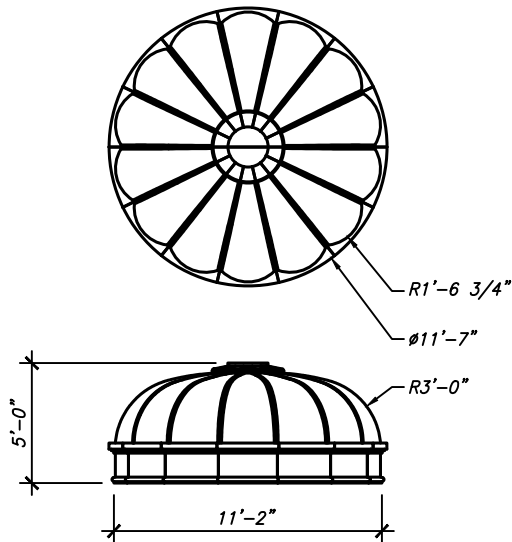
A-279

HEIGHT: 4'-0"  
WIDTH: 11'-0 3/4"



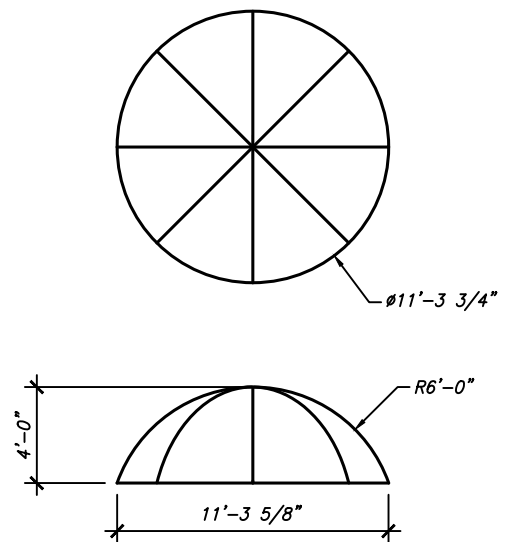
A-236

HEIGHT: 5'-0"  
WIDTH: 11'-7"



A-209

HEIGHT: 4'-0"  
WIDTH: 11'-3 5/8"  
DOME SQ.FT.: 202.76



HEMI DOMES

SHEET NO.

A-18

2025

HEMISPHERE  
DOMES

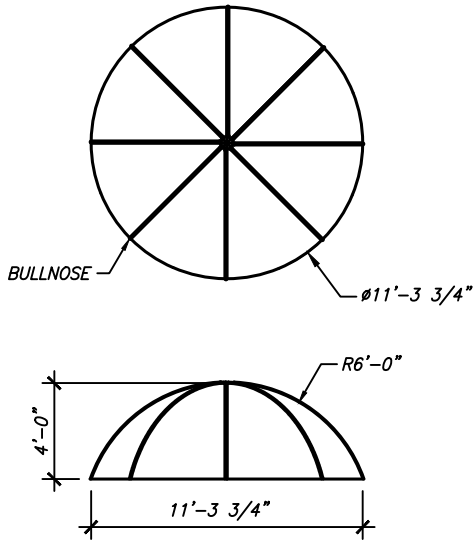


ARCHITECTURAL FIBERGLASS, INC.

8300 BESSEMER AVE., CLEVELAND, OHIO 44127-1839  
(216) 641-8300 - FAX:(216) 641-8150  
www.fiberglass-afi.com

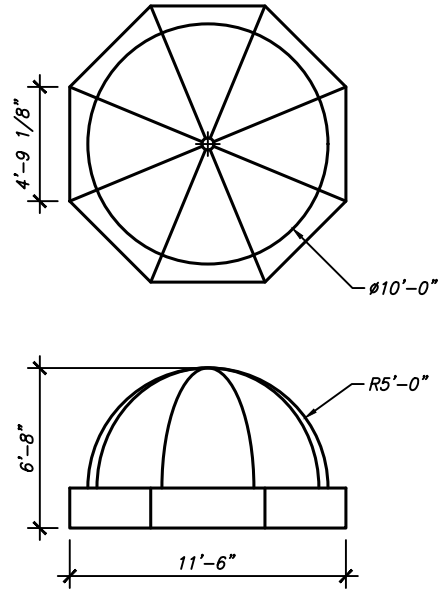
A-145

HEIGHT: 4'-0"  
WIDTH: 11'-3 3/4"



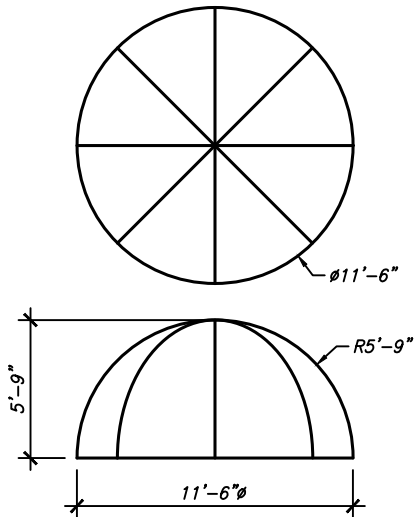
A-197

HEIGHT: 6'-8"  
WIDTH: 11'-6"



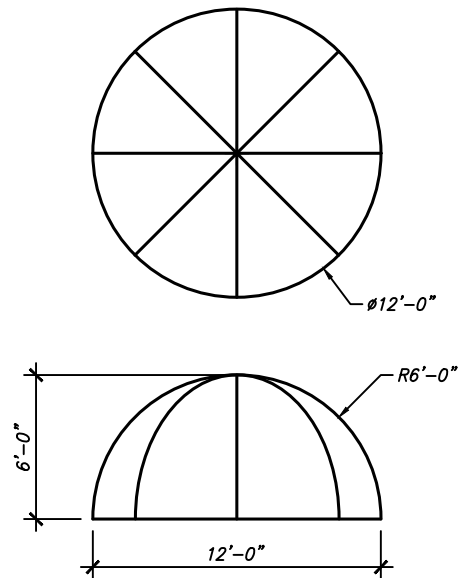
A-284

HEIGHT: 5'-9"  
WIDTH: 11'-6"



A-117

HEIGHT: 6'-0"  
WIDTH: 12'-0"



HEMI DOMES

SHEET NO.

A-19

2025

HEMISPHERE  
DOMES

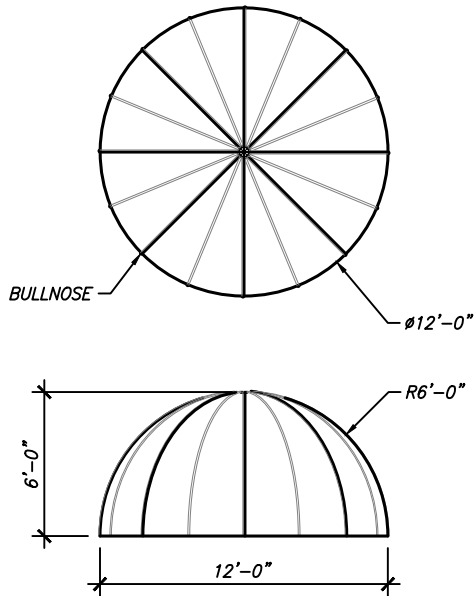


ARCHITECTURAL FIBERGLASS, INC.

8300 BESSEMER AVE., CLEVELAND, OHIO 44127-1839  
(216) 641-8300 - FAX:(216) 641-8150  
www.fiberglass-afi.com

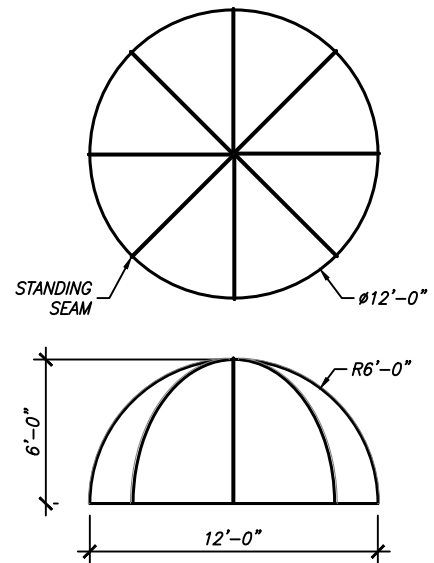
A-213

HEIGHT: 6'-0"  
WIDTH: 12'-0"



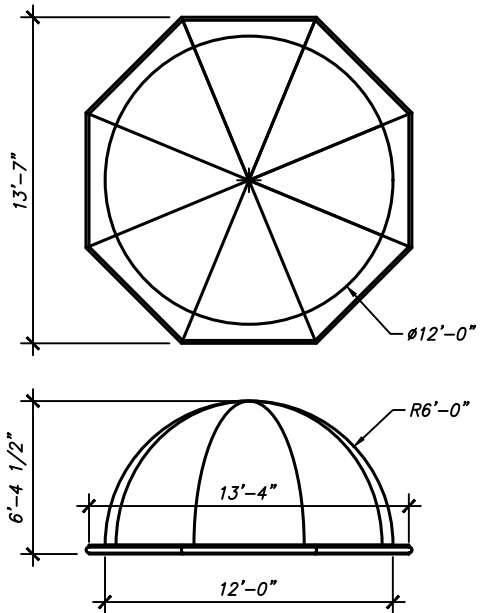
A-271

HEIGHT: 6'-0"  
WIDTH: 12'-0"



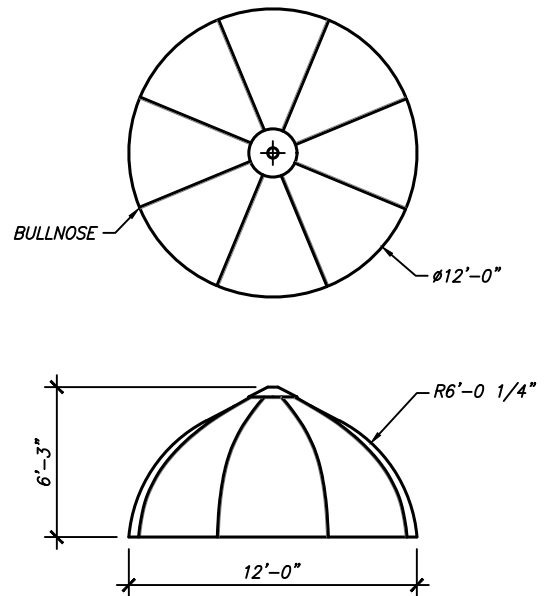
A-235

HEIGHT: 6'-4 1/2"  
WIDTH: 13'-7"



A-107

HEIGHT: 6'-3"  
WIDTH: 12'-0"



HEMI DOMES

SHEET NO.

A-20

2025

HEMISPHERE  
DOMES

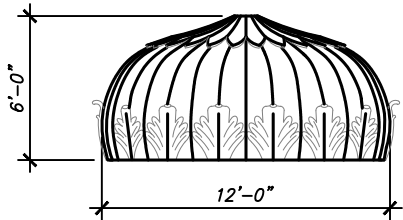
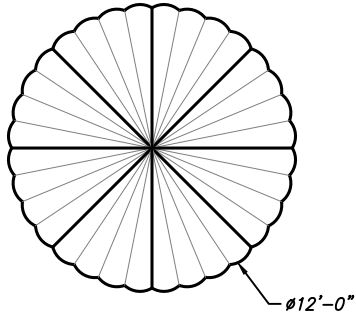


ARCHITECTURAL FIBERGLASS, INC.

8300 BESSEMER AVE., CLEVELAND, OHIO 44127-1839  
(216) 641-8300 - FAX:(216) 641-8150  
www.fiberglass-afi.com

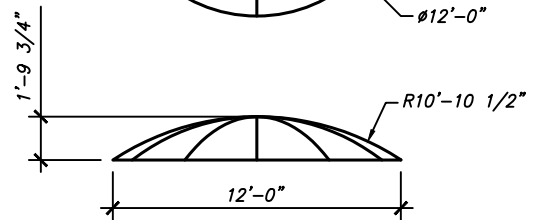
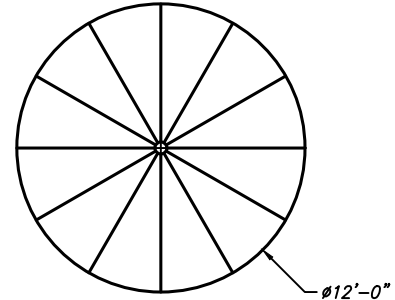
A-135

HEIGHT: 6'-0"  
WIDTH: 12'-0"



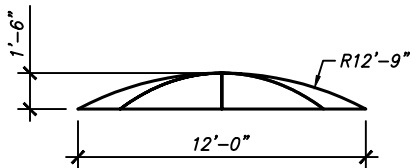
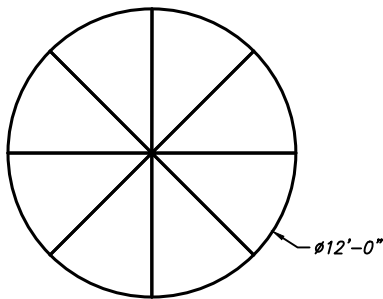
A-162

HEIGHT: 1'-9 3/4"  
WIDTH: 12'-0"



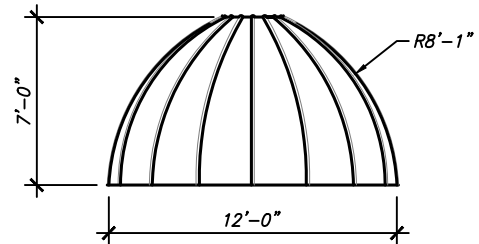
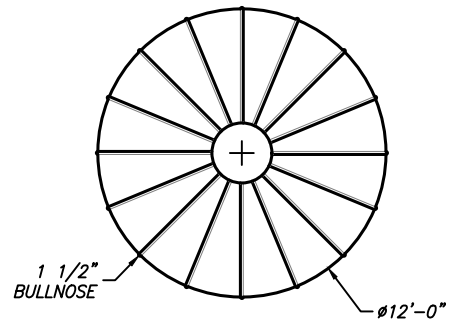
A-208

HEIGHT: 1'-6"  
WIDTH: 12'-0"



A-111

HEIGHT: 7'-0"  
WIDTH: 12'-0"



HEMI DOMES

SHEET NO.

A-21

2025

HEMISPHERE  
DOMES

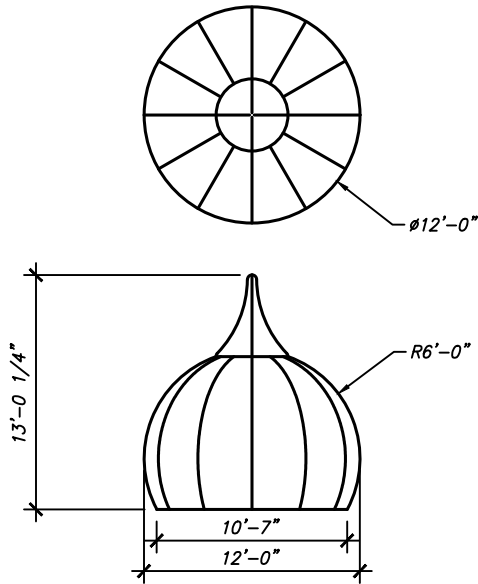


ARCHITECTURAL FIBERGLASS, INC.

8300 BESSEMER AVE., CLEVELAND, OHIO 44127-1839  
(216) 641-8300 - FAX:(216) 641-8150  
www.fiberglass-afi.com

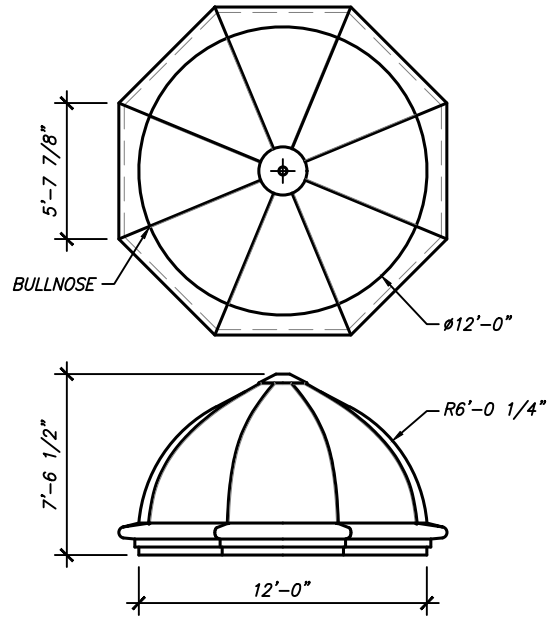
A-249

HEIGHT: 13'-0 1/4"  
WIDTH: 12'-0"



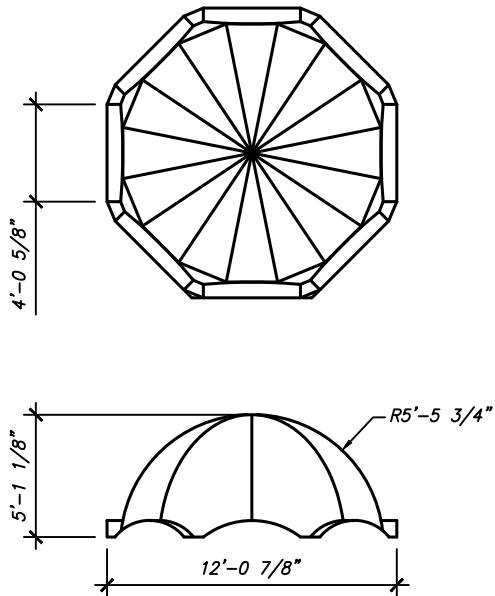
A-104

HEIGHT: 7'-6 1/2"  
WIDTH: 12'-0"



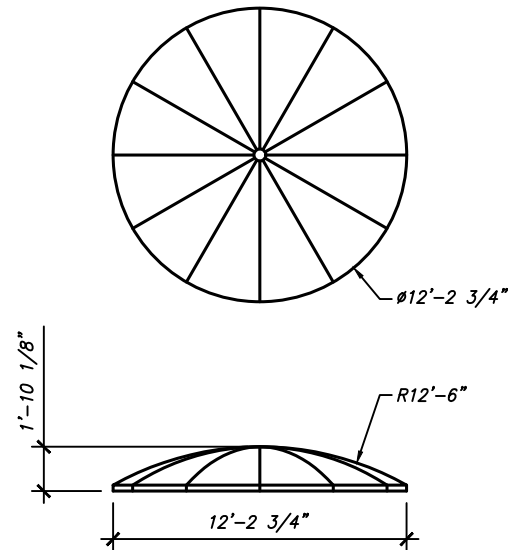
A-116

HEIGHT: 5'-1 1/8"  
WIDTH: 12'-0 7/8"



A-258

HEIGHT: 1'-10 1/8"  
WIDTH: 12'-2 3/4"



HEMI DOMES

SHEET NO.

A-22

2025

HEMISPHERE  
DOMES

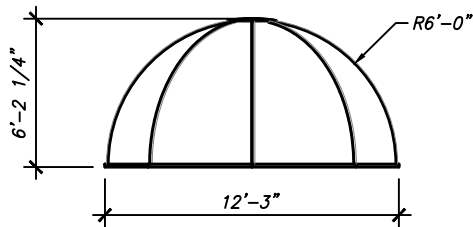
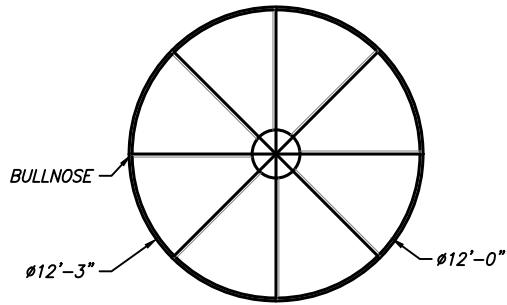


ARCHITECTURAL FIBERGLASS, INC.

8300 BESSEMER AVE., CLEVELAND, OHIO 44127-1839  
(216) 641-8300 - FAX:(216) 641-8150  
www.fiberglass-afi.com

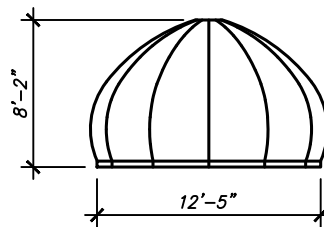
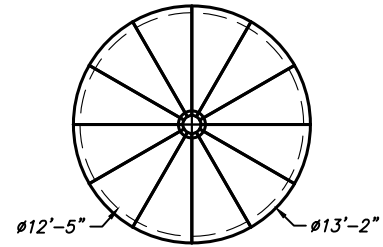
A-180

HEIGHT: 6'-2 1/4"  
WIDTH: 12'-3"



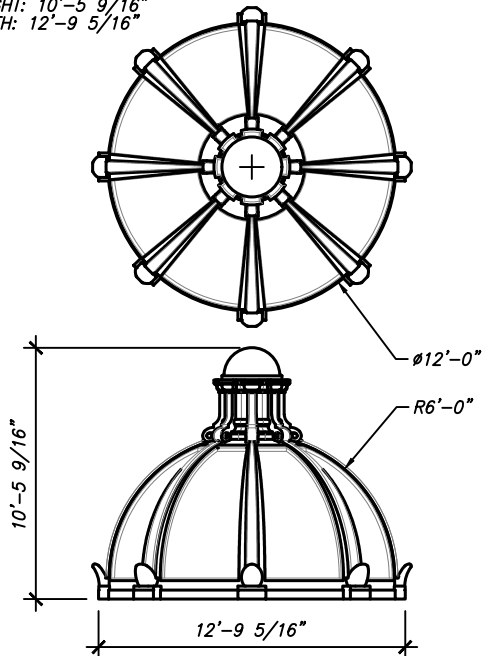
A-275

HEIGHT: 8'-2"  
WIDTH: 13'-2"



A-222

HEIGHT: 10'-5 9/16"  
WIDTH: 12'-9 5/16"



INTENTIONALLY LEFT BLANK

HEMI DOMES

SHEET NO.

A-23

2025

HEMISPHERE  
DOMES



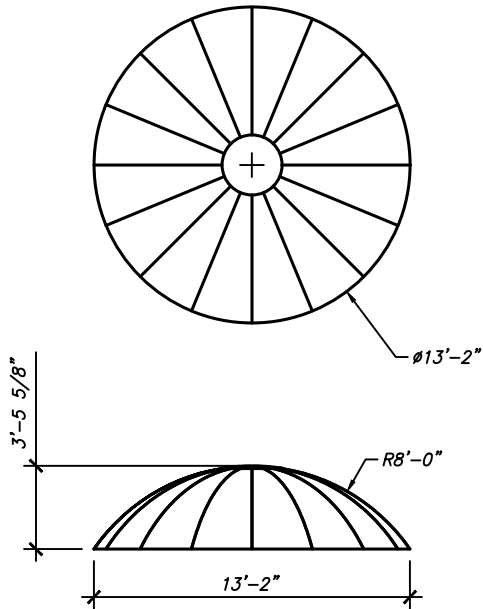
ARCHITECTURAL FIBERGLASS, INC.

8300 BESSEMER AVE., CLEVELAND, OHIO 44127-1839  
(216) 641-8300 - FAX:(216) 641-8150  
www.fiberglass-afi.com



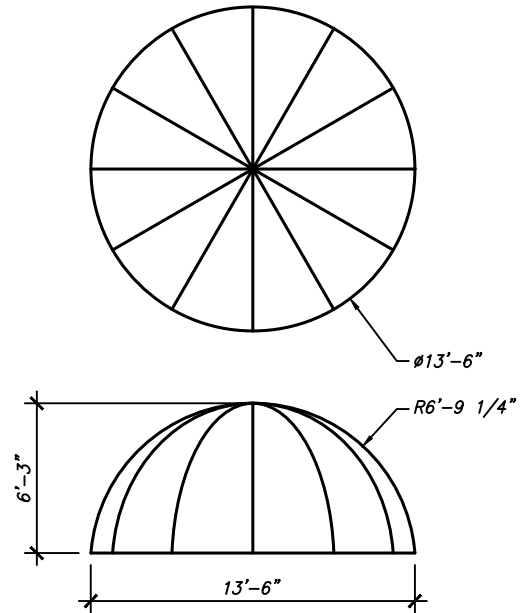
A-212

HEIGHT: 3'-5 5/8"  
WIDTH: 13'-2"



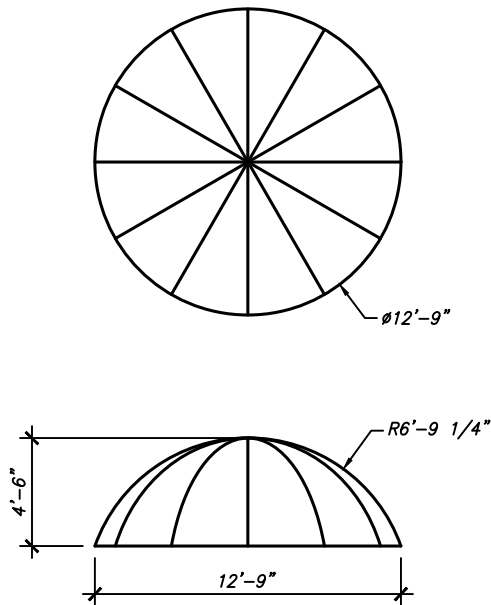
A-183

HEIGHT: 6'-3"  
WIDTH: 13'-6"



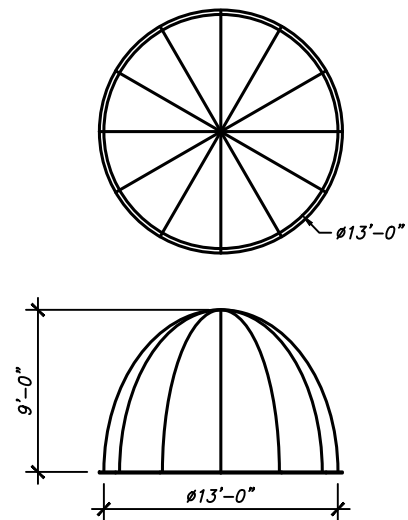
A-163

HEIGHT: 4'-6"  
WIDTH: 12'-9"



A-283

HEIGHT: 3'-4 1/16"  
WIDTH: 18'-0"



HEMI DOMES

SHEET NO.

A-24

2025

HEMISPHERE  
DOMES

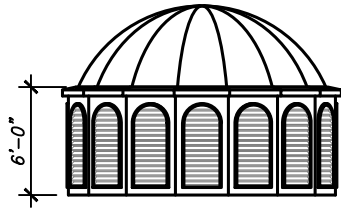


ARCHITECTURAL FIBERGLASS, INC.

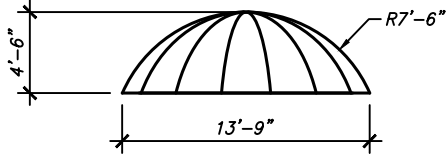
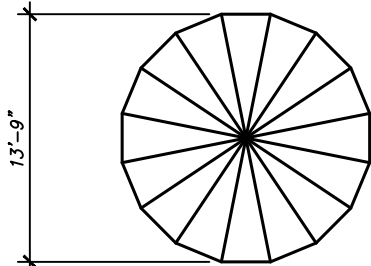
8300 BESSEMER AVE., CLEVELAND, OHIO 44127-1839  
(216) 641-8300 - FAX:(216) 641-8150  
www.fiberglass-afi.com

A-246

HEIGHT: 4'-6"  
WIDTH: 13'-9"

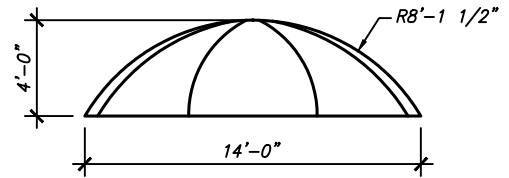
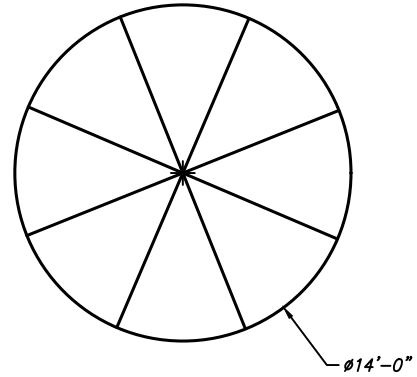


DOME WITH  
OPTIONAL BASE



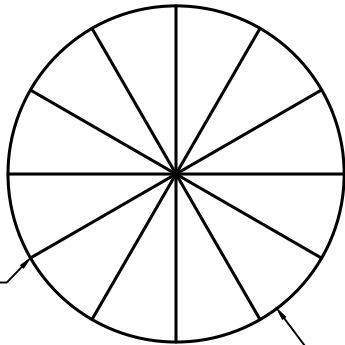
A-118

HEIGHT: 4'-0"  
WIDTH: 14'-0"



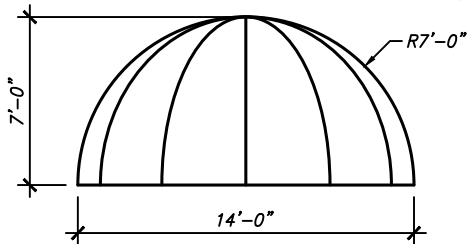
A-170

HEIGHT: 7'-0"  
WIDTH: 14'-0"



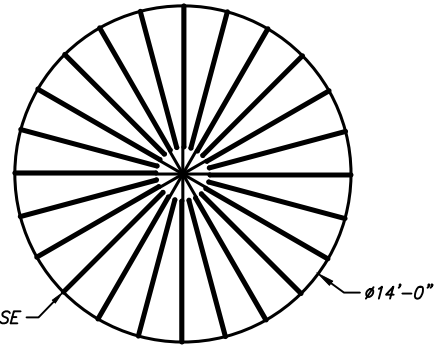
AVAILABLE  
w/BULLNOSE

$\phi 14'-0''$



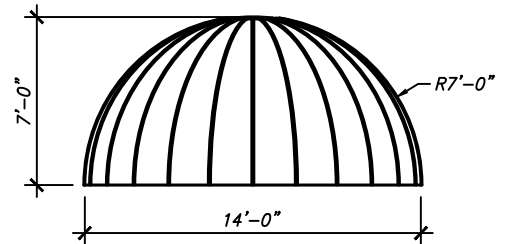
A-149

HEIGHT: 7'-0"  
WIDTH: 14'-0"



BULLNOSE

$\phi 14'-0''$



HEMI DOMES

SHEET NO.

A-25

2025

HEMISPHERE  
DOMES

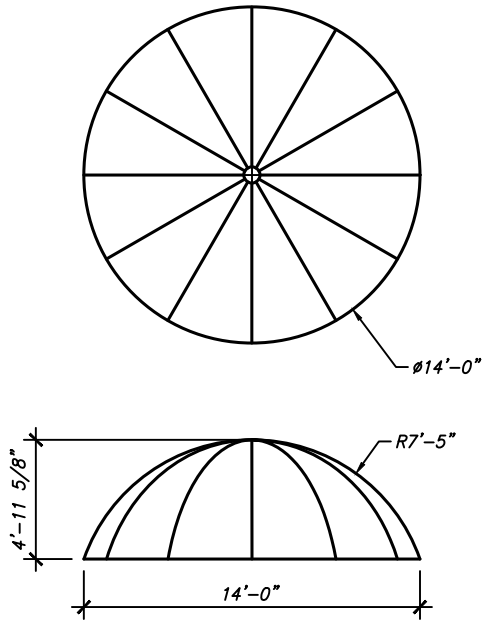


ARCHITECTURAL FIBERGLASS, INC.

8300 BESSEMER AVE., CLEVELAND, OHIO 44127-1839  
(216) 641-8300 - FAX:(216) 641-8150  
www.fiberglass-afi.com

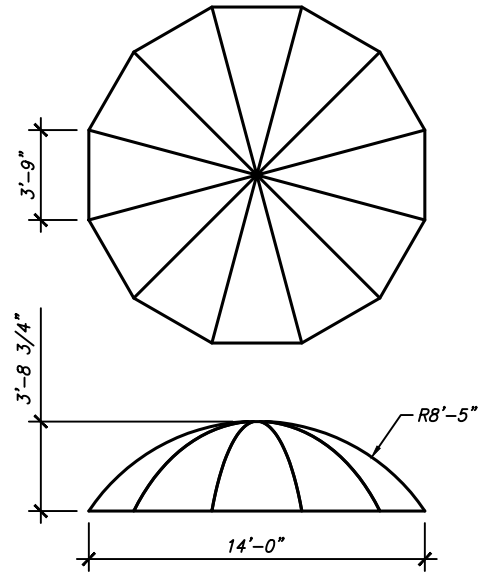
A-203

HEIGHT: 4'-11 5/8"  
WIDTH: 14'-0"



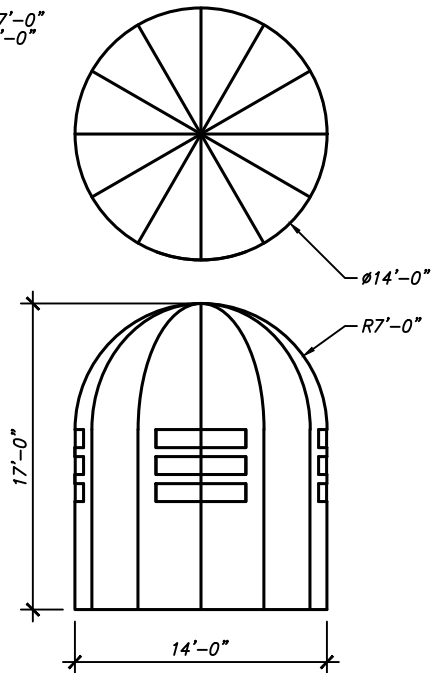
A-202

HEIGHT: 3'-8 3/4"  
WIDTH: 14'-0"



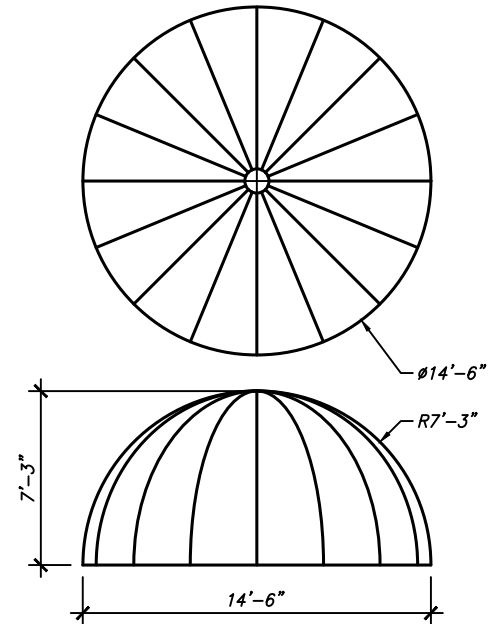
A-184

HEIGHT: 17'-0"  
WIDTH: 14'-0"



A-229

HEIGHT: 7'-3"  
WIDTH: 14'-6"



HEMI DOMES

SHEET NO.

A-26

2025

HEMISPHERE  
DOMES

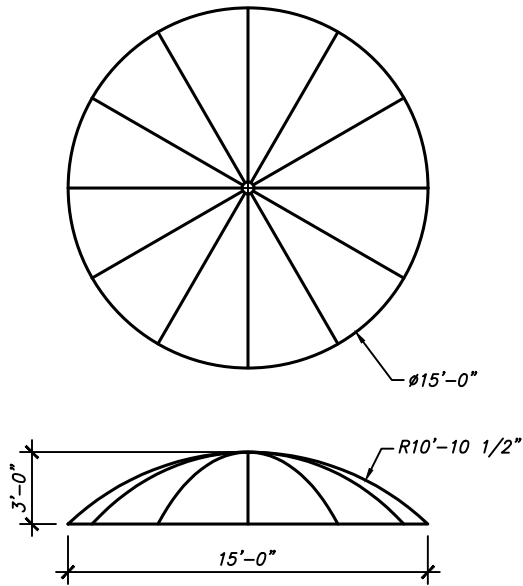


ARCHITECTURAL FIBERGLASS, INC.

8300 BESSEMER AVE., CLEVELAND, OHIO 44127-1839  
(216) 641-8300 - FAX:(216) 641-8150  
www.fiberglass-afi.com

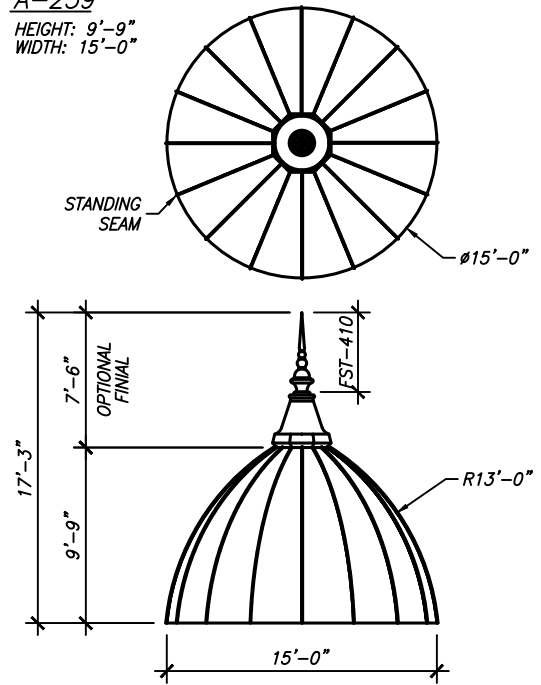
A-141

HEIGHT: 3'-0"  
WIDTH: 15'-0"



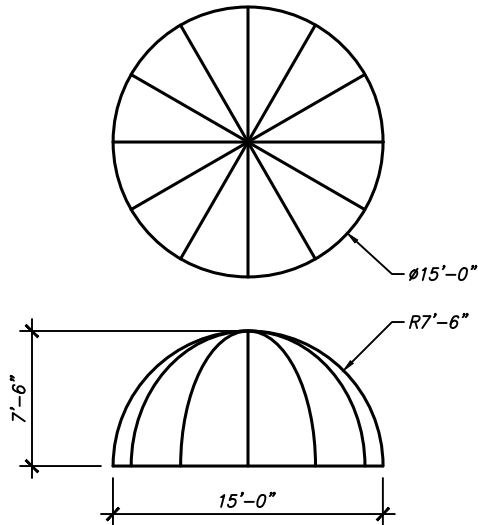
A-239

HEIGHT: 9'-9"  
WIDTH: 15'-0"



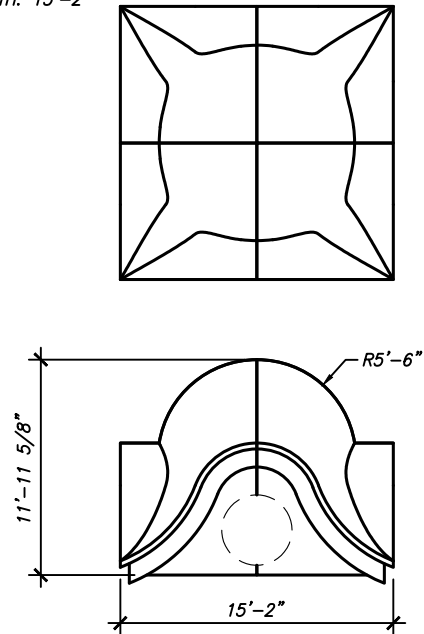
A-245

HEIGHT: 7'-6"  
WIDTH: 15'-0"



A-195

HEIGHT: 11'-11 5/8"  
WIDTH: 15'-2"



HEMI DOMES

SHEET NO.

A-27

2025

HEMISPHERE  
DOMES

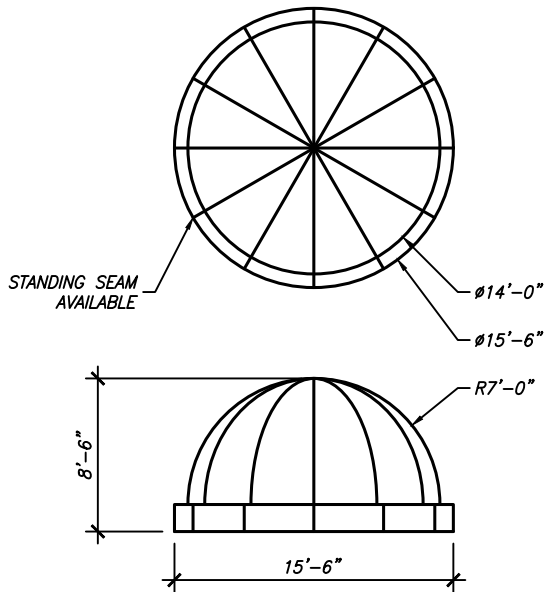


ARCHITECTURAL FIBERGLASS, INC.

8300 BESSEMER AVE., CLEVELAND, OHIO 44127-1839  
(216) 641-8300 - FAX:(216) 641-8150  
www.fiberglass-afi.com

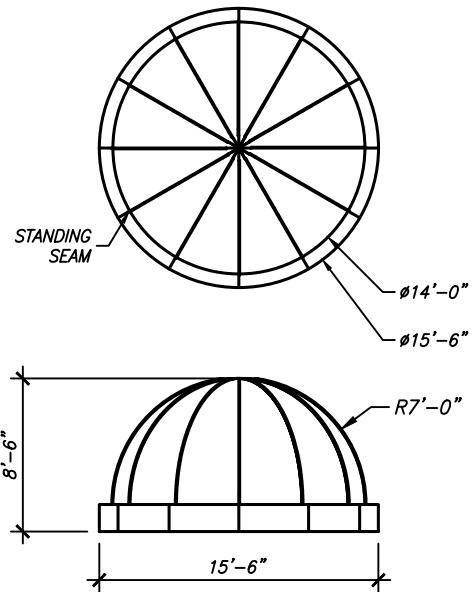
A-155

HEIGHT: 8'-6"  
WIDTH: 15'-6"



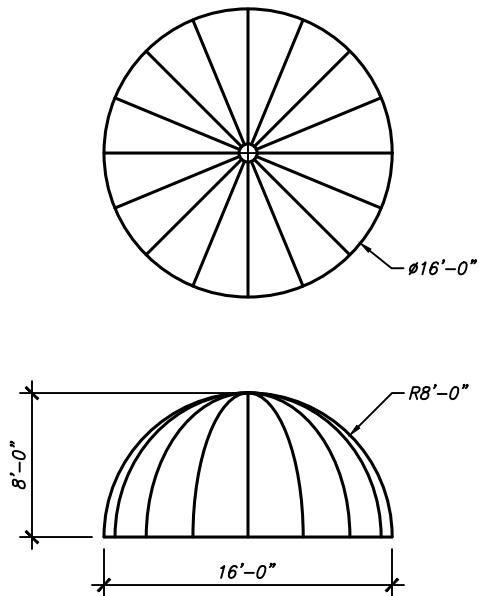
A-147

HEIGHT: 8'-6"  
WIDTH: 15'-6"



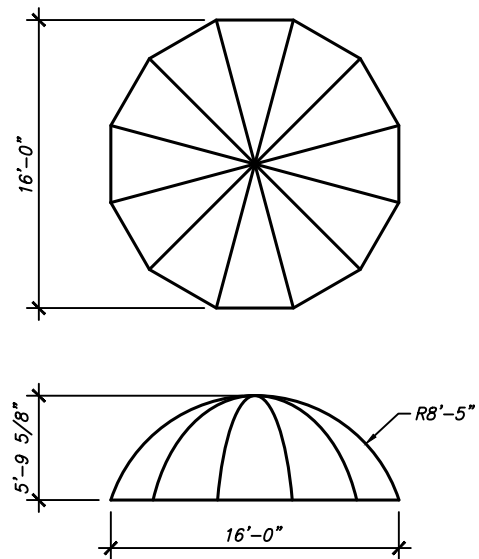
A-175

HEIGHT: 8'-0"  
WIDTH: 16'-0"



A-161

HEIGHT: 5'-9 5/8"  
WIDTH: 16'-0"



HEMI DOMES

SHEET NO.

A-28

2025

HEMISPHERE  
DOMES

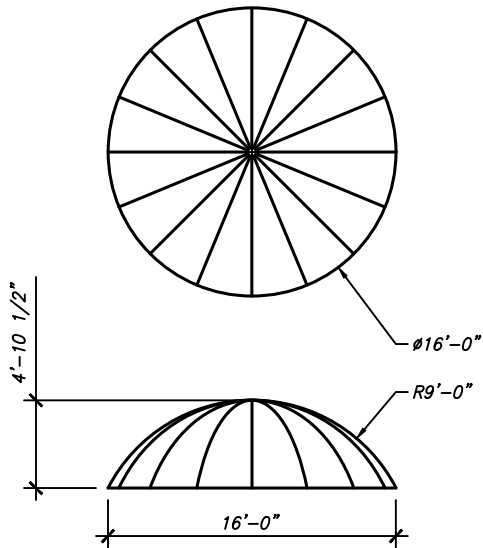


ARCHITECTURAL FIBERGLASS, INC.

8300 BESSEMER AVE., CLEVELAND, OHIO 44127-1839  
(216) 641-8300 - FAX:(216) 641-8150  
www.fiberglass-afi.com

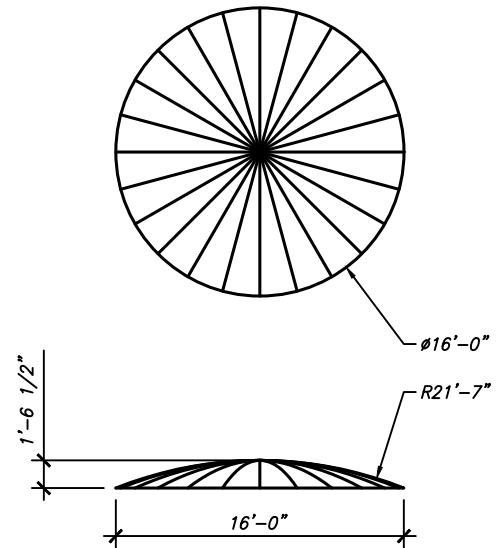
A-214

HEIGHT: 4'-10 1/2"  
WIDTH: 16'-0"



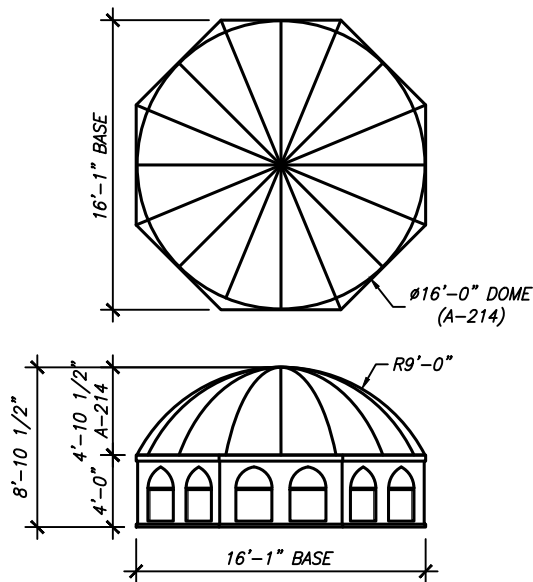
A-181

HEIGHT: 1'-6 1/2"  
WIDTH: 16'-0"



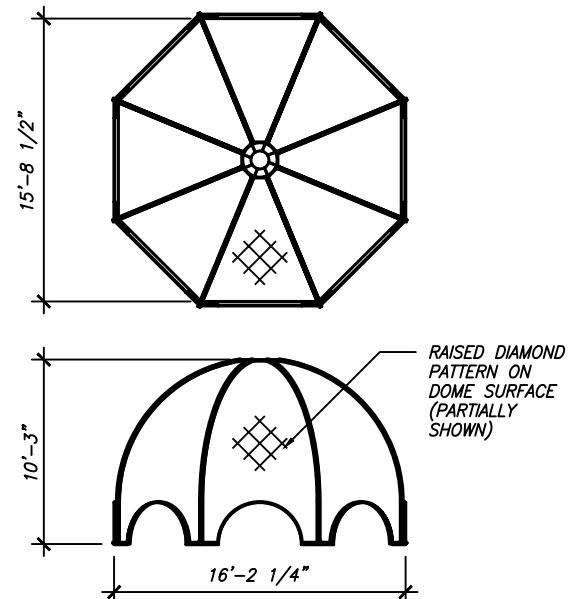
A-290

HEIGHT: 8'-10 1/2"  
WIDTH: 16'-1"



A-253

HEIGHT: 10'-3"  
WIDTH: 16'-2 1/4"



HEMI DOMES

SHEET NO.

A-29

2025

HEMISPHERE  
DOMES

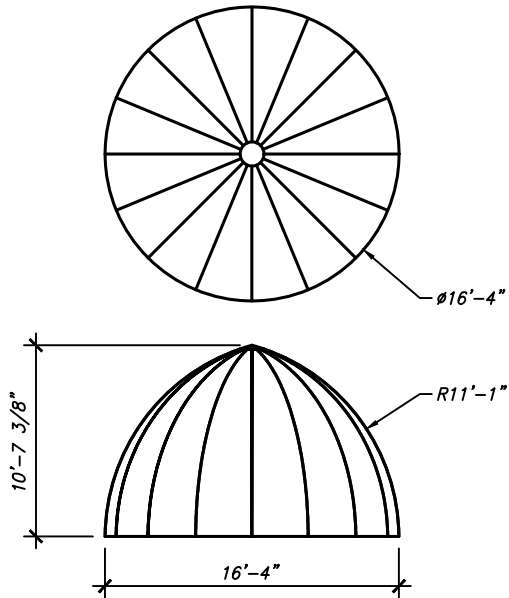


ARCHITECTURAL FIBERGLASS, INC.

8300 BESSEMER AVE., CLEVELAND, OHIO 44127-1839  
(216) 641-8300 - FAX:(216) 641-8150  
www.fiberglass-afi.com

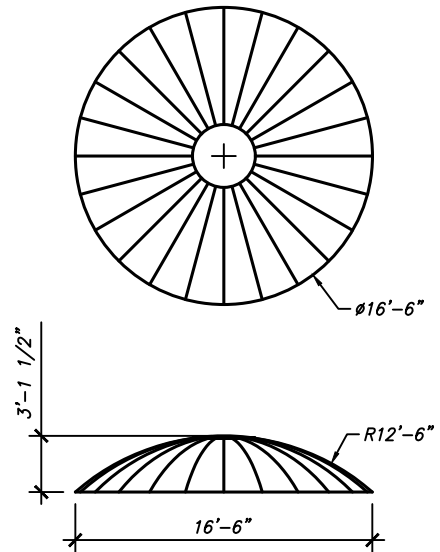
A-254

HEIGHT: 10'-7 3/8"  
WIDTH: 16'-4"



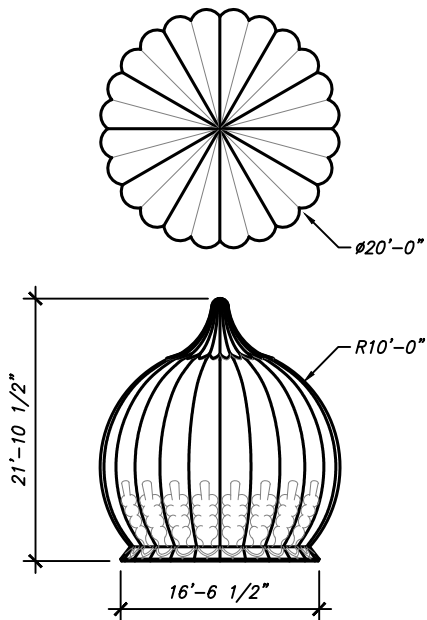
A-216

HEIGHT: 3'-1 1/2"  
WIDTH: 16'-6"



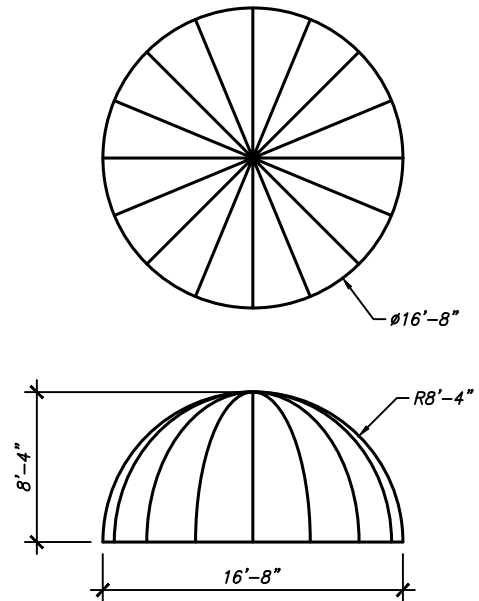
A-133

HEIGHT: 21'-10 1/2"  
WIDTH: 16'-6 1/2"



A-228

HEIGHT: 8'-4"  
WIDTH: 16'-8"



HEMI DOMES

SHEET NO.

A-30

2025

HEMISPHERE  
DOMES

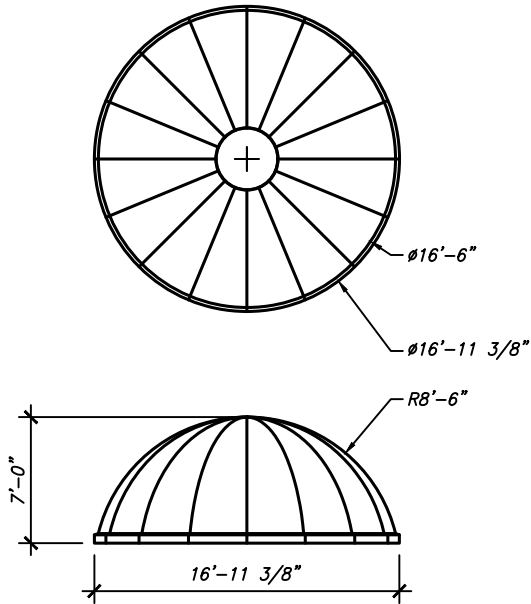


ARCHITECTURAL FIBERGLASS, INC.

8300 BESSEMER AVE., CLEVELAND, OHIO 44127-1839  
(216) 641-8300 - FAX:(216) 641-8150  
www.fiberglass-afi.com

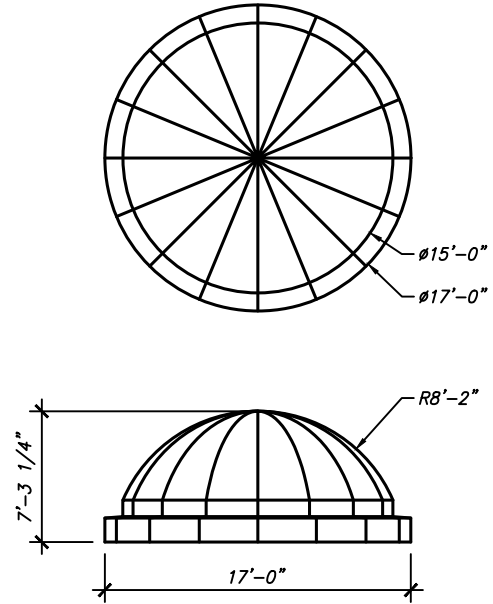
A-151

HEIGHT: 7'-0"  
WIDTH: 16'-11 3/8"



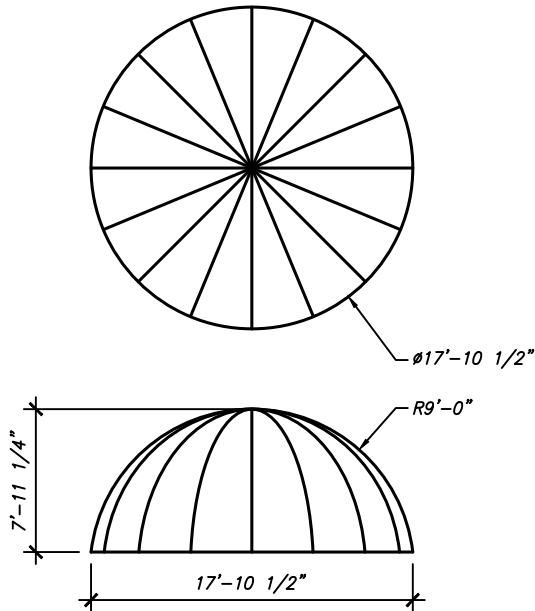
A-187

HEIGHT: 7'-3 1/4"  
WIDTH: 17'-0"



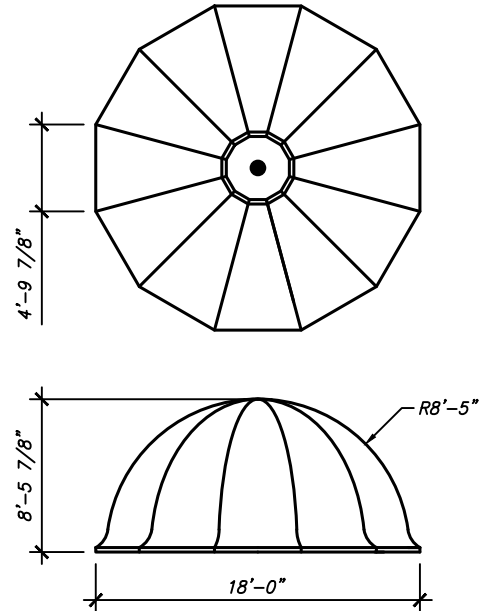
A-238

HEIGHT: 7'-11 1/4"  
WIDTH: 17'-10 1/2"



A-113

HEIGHT: 8'-5 7/8"  
WIDTH: 18'-0"



HEMI DOMES

SHEET NO.

A-31

2025

HEMISPHERE  
DOMES



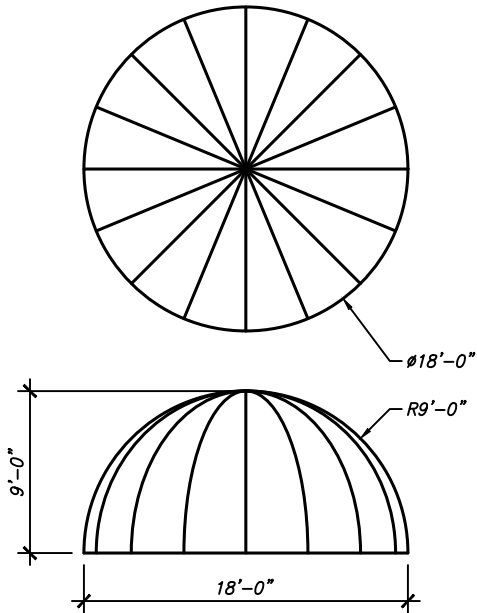
ARCHITECTURAL FIBERGLASS, INC.

8300 BESSEMER AVE., CLEVELAND, OHIO 44127-1839  
(216) 641-8300 - FAX:(216) 641-8150  
www.fiberglass-afi.com



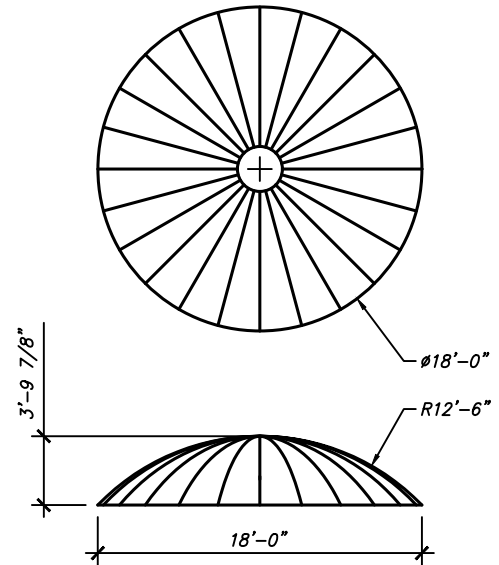
A-166

HEIGHT: 9'-0"  
WIDTH: 18'-0"



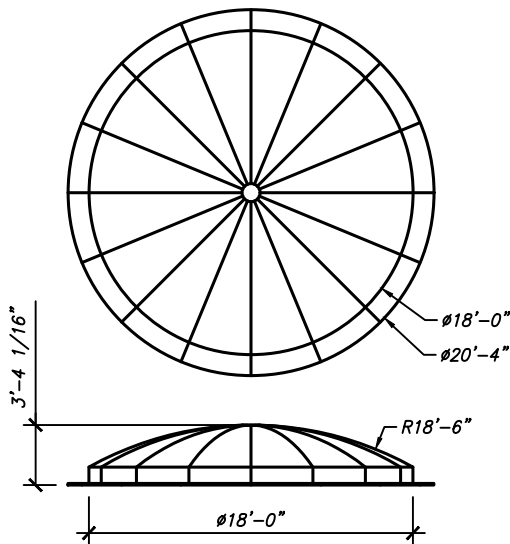
A-182

HEIGHT: 3'-9 7/8"  
WIDTH: 18'-0"



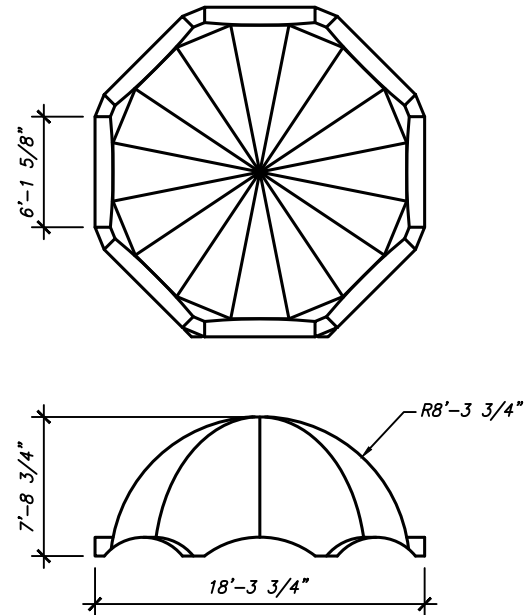
A-277

HEIGHT: 3'-4 1/16"  
WIDTH: 18'-0"



A-115

HEIGHT: 7'-8 3/4"  
WIDTH: 18'-3 3/4"



HEMI DOMES

SHEET NO.

A-32

2025

HEMISPHERE  
DOMES

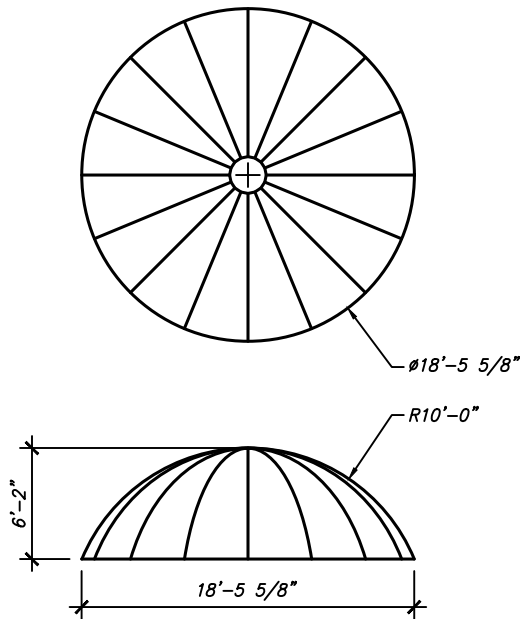


ARCHITECTURAL FIBERGLASS, INC.

8300 BESSEMER AVE., CLEVELAND, OHIO 44127-1839  
(216) 641-8300 - FAX:(216) 641-8150  
www.fiberglass-afi.com

A-171

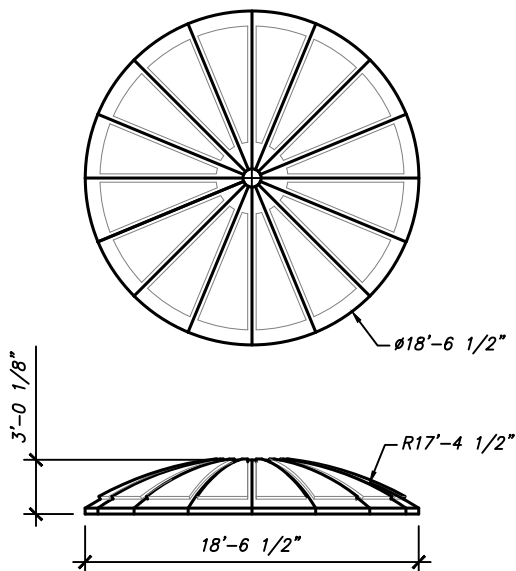
HEIGHT: 6'-2"  
WIDTH: 18'-5 5/8"



DOME A-165 DISCONTINUED

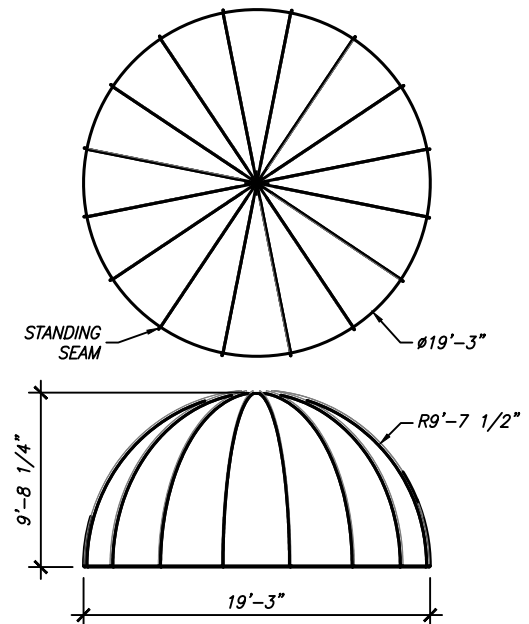
A-172

HEIGHT: 3'-0 1/8"  
WIDTH: 18'-6 1/2"



A-196

HEIGHT: 9'-8 1/4"  
WIDTH: 19'-3"



HEMI DOMES

SHEET NO.

A-33

2025

HEMISPHERE  
DOMES

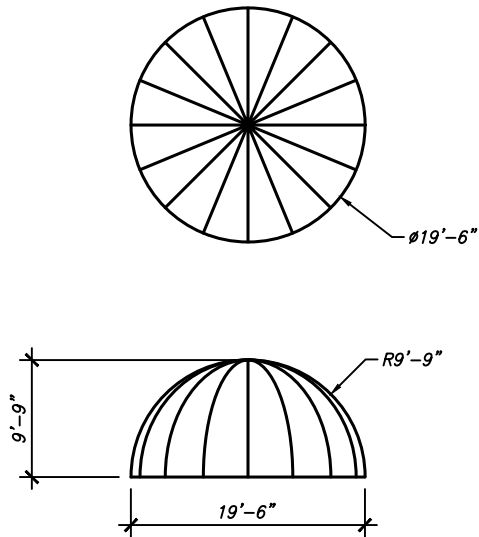


ARCHITECTURAL FIBERGLASS, INC.

8300 BESSEMER AVE., CLEVELAND, OHIO 44127-1839  
(216) 641-8300 - FAX:(216) 641-8150  
www.fiberglass-afi.com

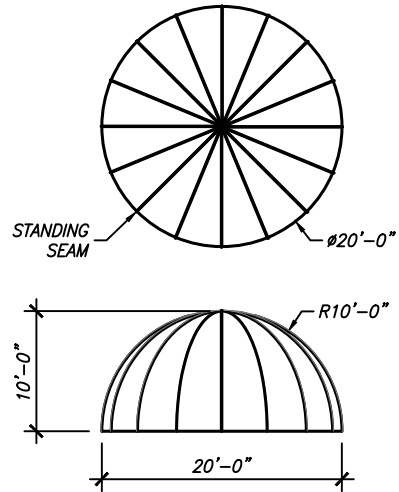
A-233

HEIGHT: 9'-9"  
WIDTH: 19'-6"



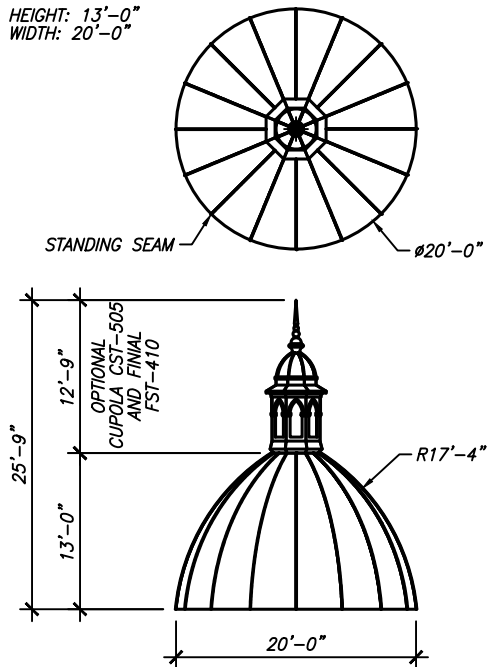
A-270

HEIGHT: 10'-0"  
WIDTH: 20'-0"



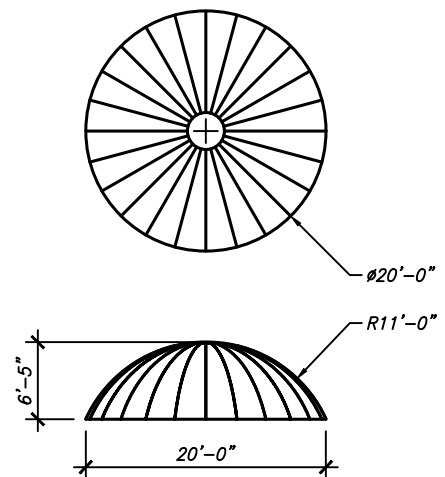
A-240

HEIGHT: 13'-0"  
WIDTH: 20'-0"



A-217

HEIGHT: 6'-5"  
WIDTH: 20'-0"



HEMI DOMES

SHEET NO.

A-34

2025

HEMISPHERE  
DOMES

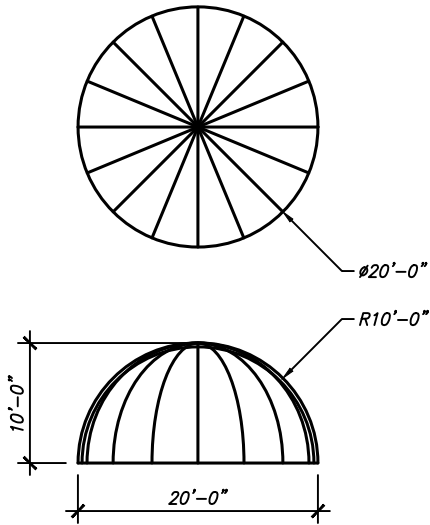


ARCHITECTURAL FIBERGLASS, INC.

8300 BESSEMER AVE., CLEVELAND, OHIO 44127-1839  
(216) 641-8300 - FAX:(216) 641-8150  
www.fiberglass-afi.com

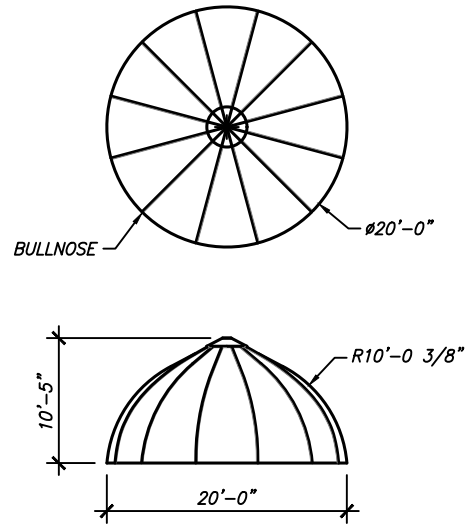
A-247

HEIGHT: 10'-0"  
WIDTH: 20'-0"



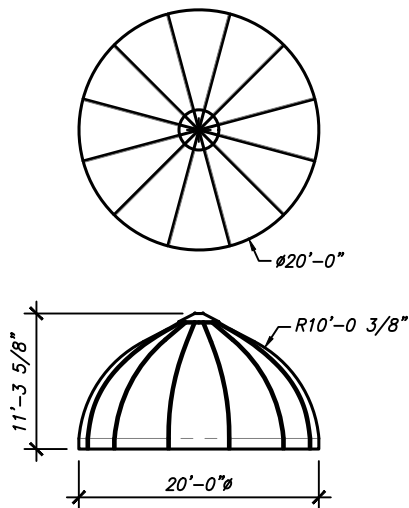
A-122

HEIGHT: 10'-5"  
WIDTH: 20'-0"



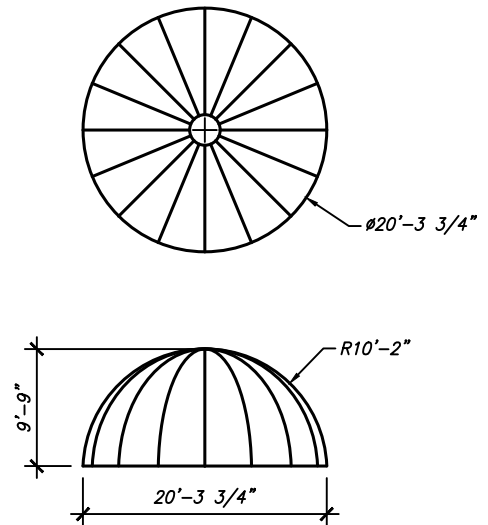
A-286

HEIGHT: 11'-3 5/8"  
WIDTH: 20'-0"



A-108

HEIGHT: 9'-9"  
WIDTH: 20'-3 3/4"



HEMI DOMES

SHEET NO.

A-35

2025

HEMISPHERE  
DOMES

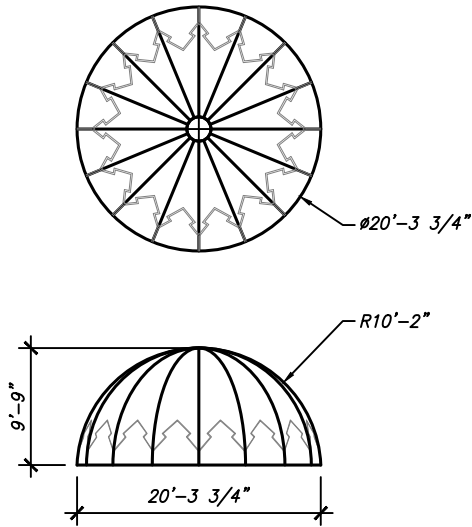


ARCHITECTURAL FIBERGLASS, INC.

8300 BESSEMER AVE., CLEVELAND, OHIO 44127-1839  
(216) 641-8300 - FAX:(216) 641-8150  
www.fiberglass-afi.com

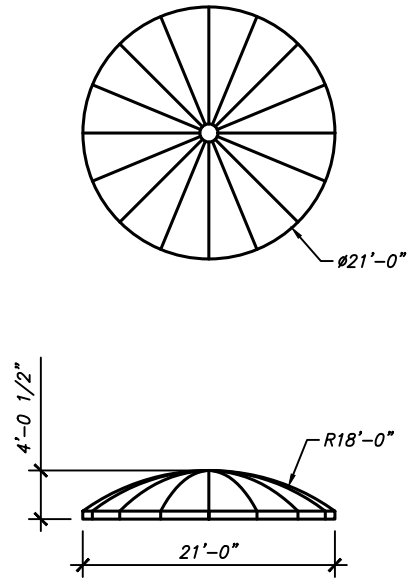
A-157

HEIGHT: 9'-9"  
WIDTH: 20'-3 3/4"



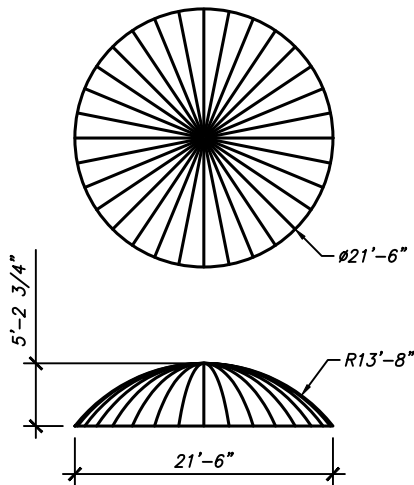
A-257

HEIGHT: 4'-0 1/2"  
WIDTH: 21'-0"



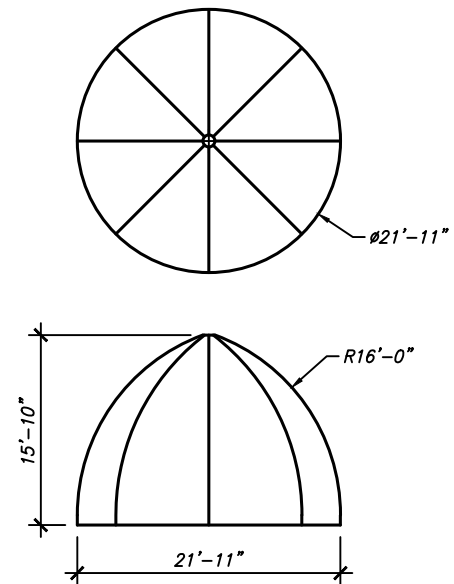
A-215

HEIGHT: 5'-2 3/4"  
WIDTH: 21'-6"



A-120

HEIGHT: 15'-10"  
WIDTH: 21'-11"



HEMI DOMES

SHEET NO.

A-36

2025

HEMISPHERE  
DOMES



ARCHITECTURAL FIBERGLASS, INC.

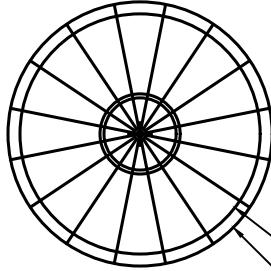
8300 BESSEMER AVE., CLEVELAND, OHIO 44127-1839  
(216) 641-8300 - FAX:(216) 641-8150  
www.fiberglass-afi.com

A-126

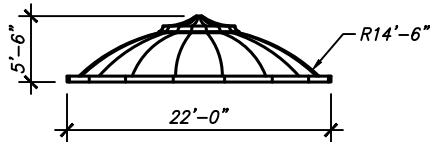
HEIGHT: 5'-6"  
WIDTH: 22'-0"



DOME WITH  
OPTIONAL BASE

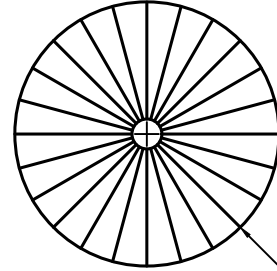


Ø20'-0"  
Ø22'-0"

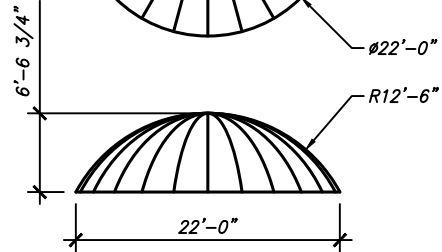


A-224

HEIGHT: 6'-6 3/4"  
WIDTH: 22'-0"

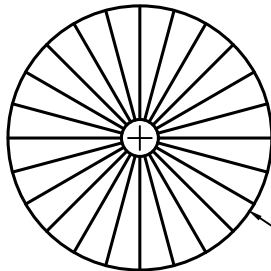


Ø22'-0"

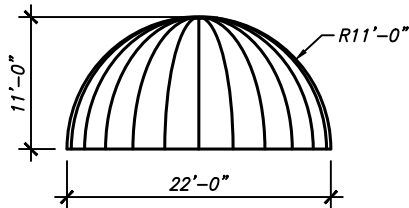


A-127

HEIGHT: 11'-0"  
WIDTH: 22'-0"

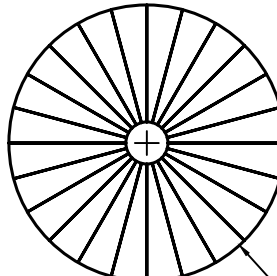


Ø22'-0"

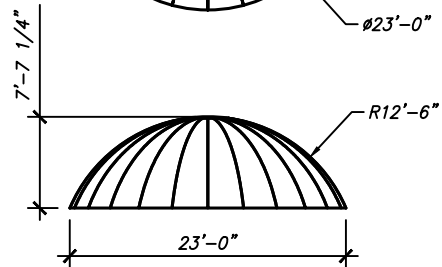


A-190

HEIGHT: 7'-7 1/4"  
WIDTH: 23'-0"



Ø23'-0"



HEMI DOMES

SHEET NO.

A-37

2025

HEMISPHERE  
DOMES

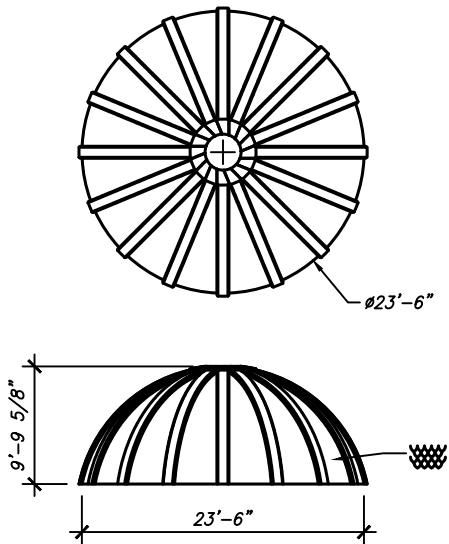


ARCHITECTURAL FIBERGLASS, INC.

8300 BESSEMER AVE., CLEVELAND, OHIO 44127-1839  
(216) 641-8300 - FAX:(216) 641-8150  
www.fiberglass-afi.com

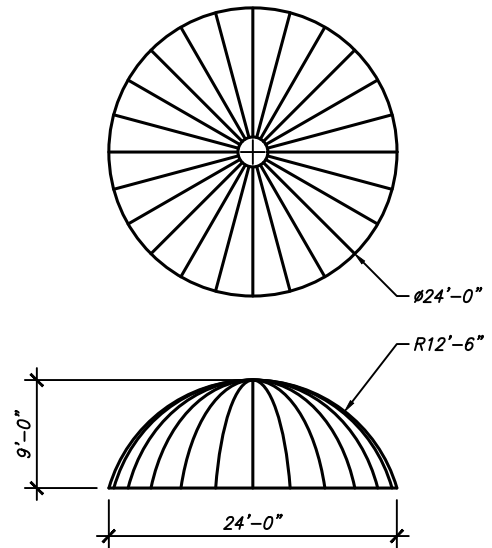
A-251

HEIGHT: 9'-9 5/8"  
WIDTH: 23'-6"



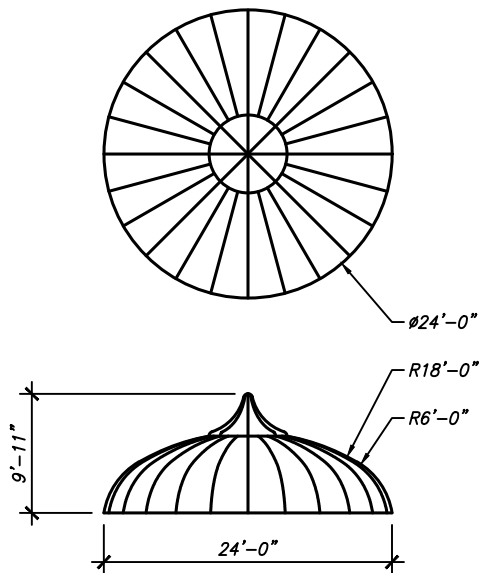
A-225

HEIGHT: 9'-0"  
WIDTH: 24'-0"



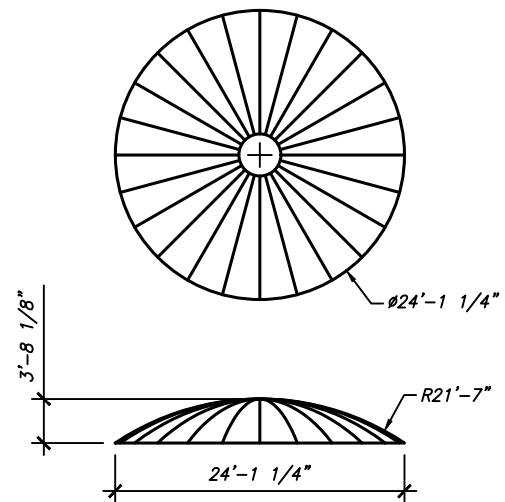
A-248

HEIGHT: 9'-11"  
WIDTH: 24'-0"



A-173

HEIGHT: 3'-8 1/8"  
WIDTH: 24'-1 1/4"



HEMI DOMES

SHEET NO.

A-38

2025

HEMISPHERE  
DOMES

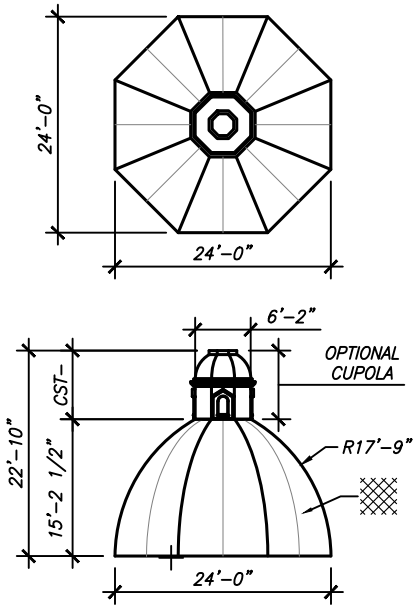


ARCHITECTURAL FIBERGLASS, INC.

8300 BESSEMER AVE., CLEVELAND, OHIO 44127-1839  
(216) 641-8300 - FAX:(216) 641-8150  
www.fiberglass-afi.com

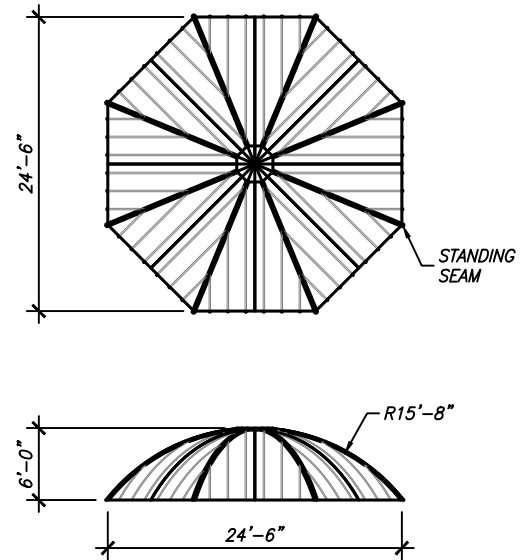
A-237

HEIGHT: 15'-2.5"  
WIDTH: 24'-0"



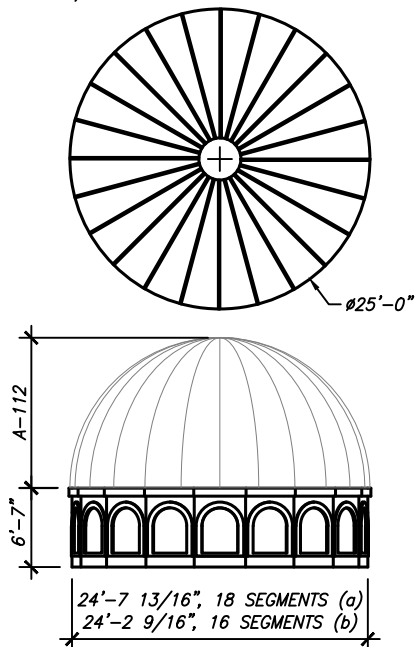
A-223

HEIGHT: 6'-0"  
WIDTH: 24'-6"



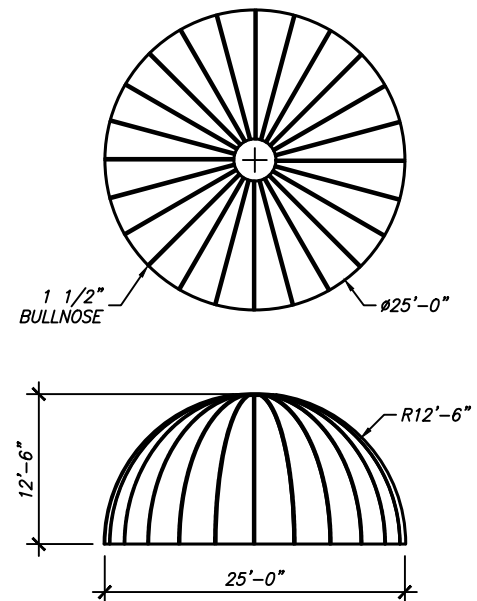
A-265a/b

HEIGHT: 6'-7"  
WIDTH: 24'-7 13/16"



A-263

HEIGHT: 12'-6"  
WIDTH: 25'-0"



HEMI DOMES

SHEET NO.

A-39

2025

HEMISPHERE  
DOMES



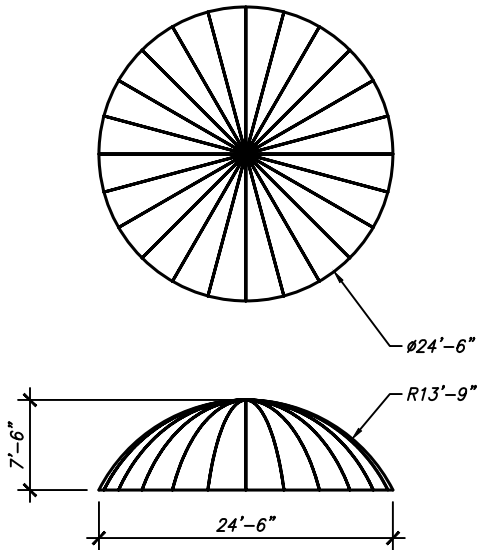
ARCHITECTURAL FIBERGLASS, INC.

8300 BESSEMER AVE., CLEVELAND, OHIO 44127-1839  
(216) 641-8300 - FAX:(216) 641-8150  
www.fiberglass-afi.com



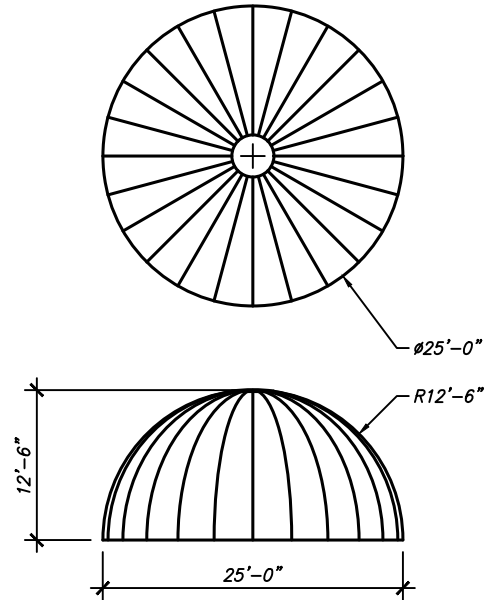
A-185

HEIGHT: 7'-6"  
WIDTH: 24'-6"



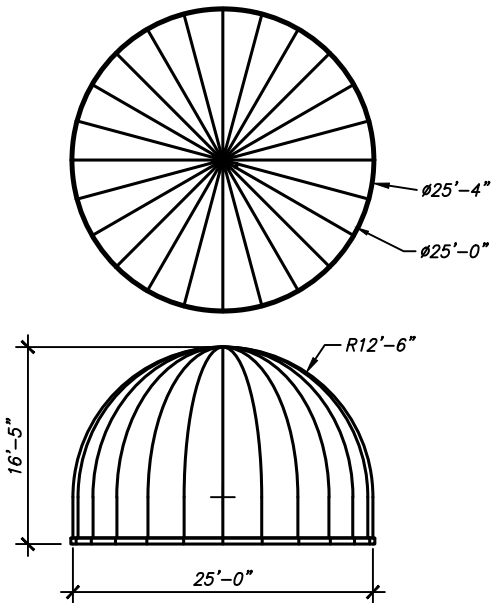
A-112

HEIGHT: 12'-6"  
WIDTH: 25'-0"



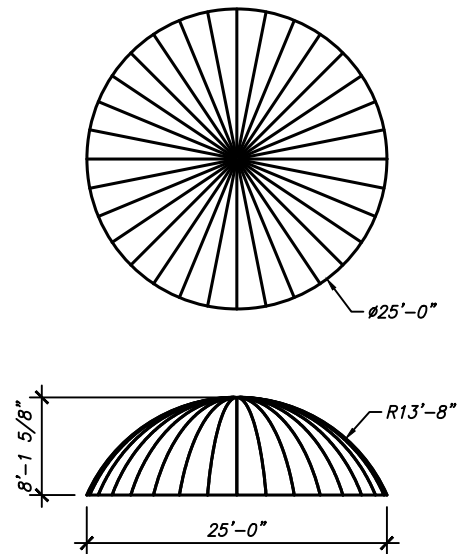
A-148

HEIGHT: 16'-5"  
WIDTH: 25'-0"



A-191

HEIGHT: 8'-1 5/8"  
WIDTH: 25'-0"



HEMI DOMES

SHEET NO.

A-40

2025

HEMISPHERE  
DOMES

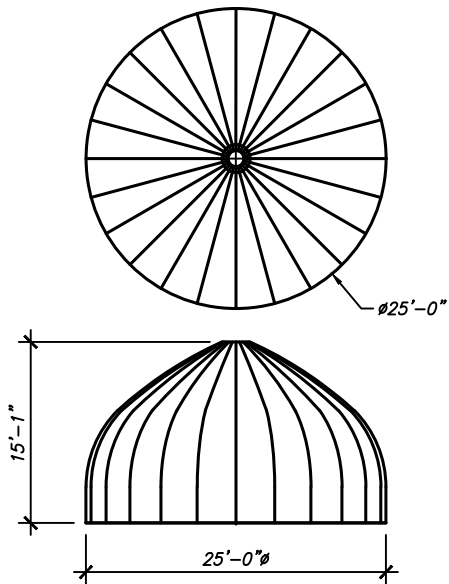


ARCHITECTURAL FIBERGLASS, INC.

8300 BESSEMER AVE., CLEVELAND, OHIO 44127-1839  
(216) 641-8300 - FAX:(216) 641-8150  
www.fiberglass-afi.com

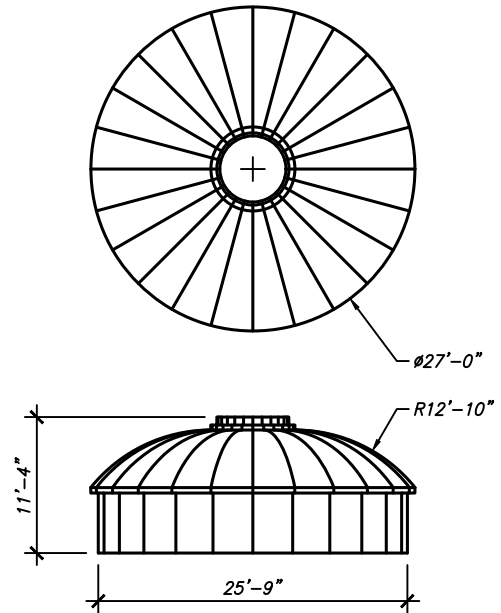
A-288

HEIGHT: 15'-1"  
WIDTH: 25'-0"



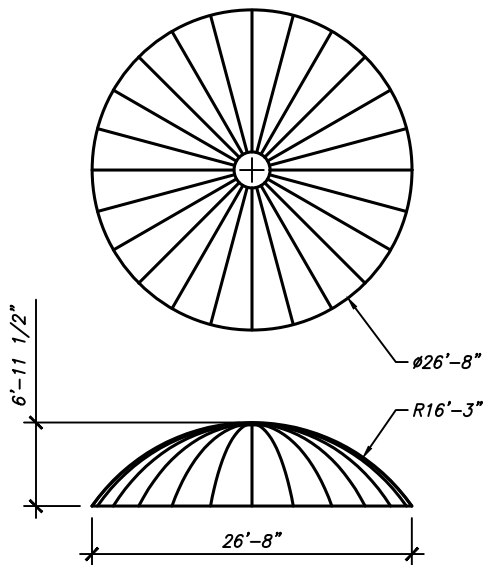
A-188

HEIGHT: 11'-4"  
WIDTH: 25'-9"



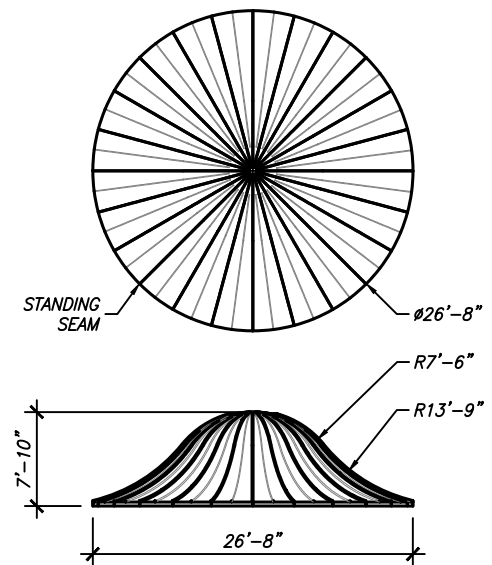
A-128

HEIGHT: 6'-11 1/2"  
WIDTH: 26'-8"



A-186

HEIGHT: 7'-10"  
WIDTH: 26'-8"



HEMI DOMES

SHEET NO.

A-41

2025

HEMISPHERE  
DOMES

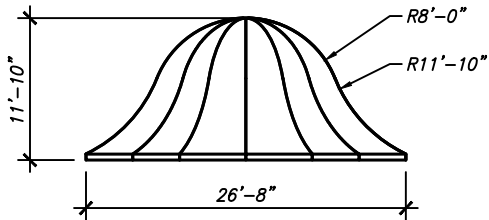
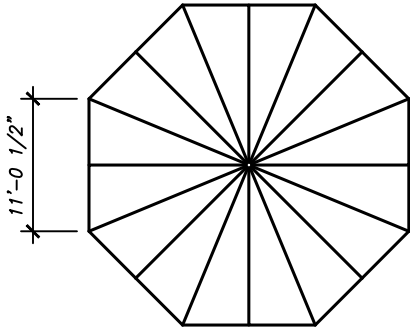


ARCHITECTURAL FIBERGLASS, INC.

8300 BESSEMER AVE., CLEVELAND, OHIO 44127-1839  
(216) 641-8300 - FAX:(216) 641-8150  
www.fiberglass-afi.com

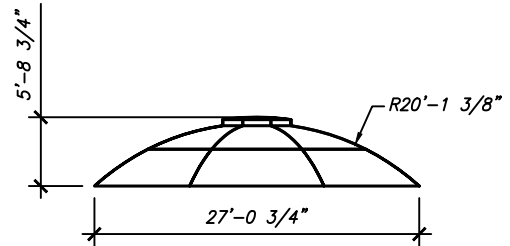
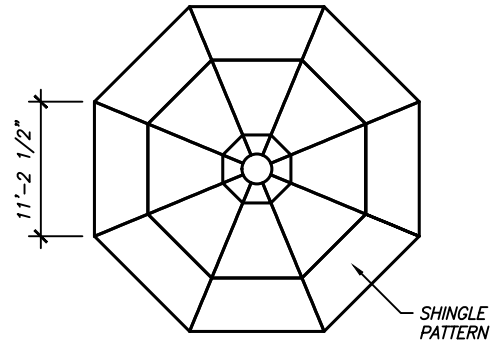
A-192

HEIGHT: 11'-10"  
WIDTH: 26'-8"



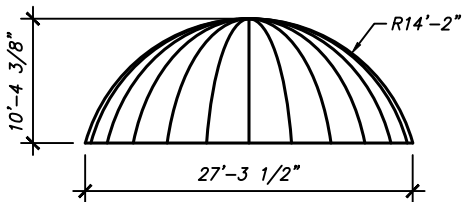
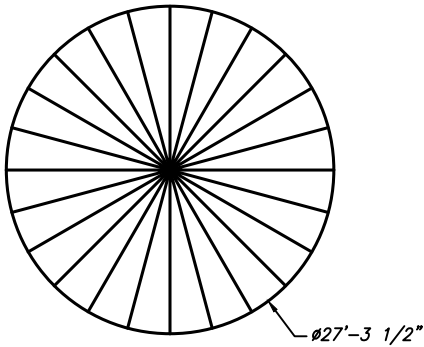
A-199

HEIGHT: 5'-8 3/4"  
WIDTH: 27'-0 3/4"



A-234

HEIGHT: 10'-4 3/8"  
WIDTH: 27'-3 1/2"



INTENTIONALLY LEFT BLANK

HEMI DOMES

SHEET NO.

A-42

2025

HEMISPHERE  
DOMES

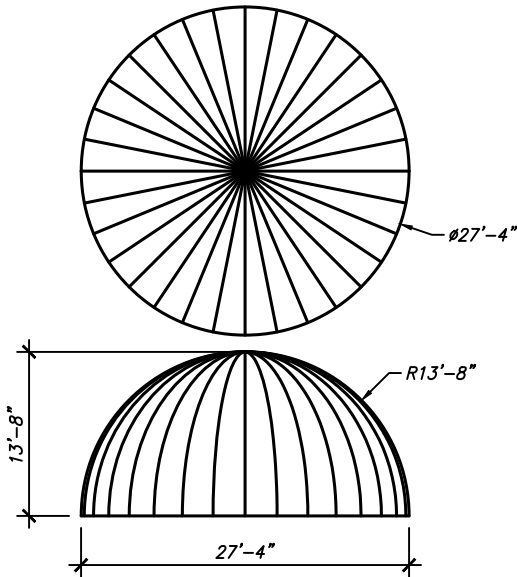


ARCHITECTURAL FIBERGLASS, INC.

8300 BESSEMER AVE., CLEVELAND, OHIO 44127-1839  
(216) 641-8300 - FAX:(216) 641-8150  
www.fiberglass-afi.com

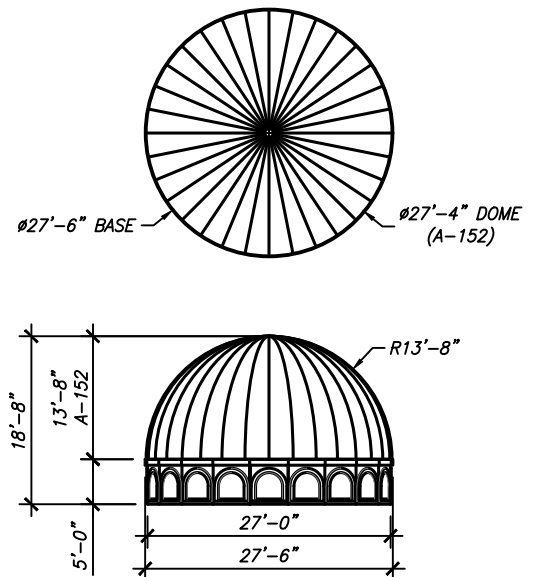
A-152

HEIGHT: 13'-9 1/4"  
WIDTH: 27'-4"



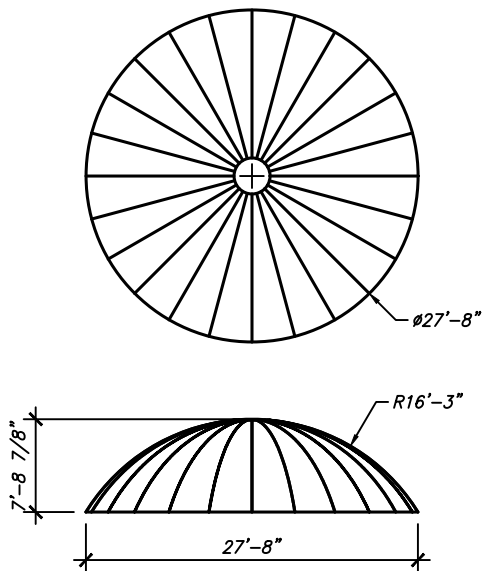
A-269

HEIGHT: 5'-0"  
WIDTH: 27'-6"



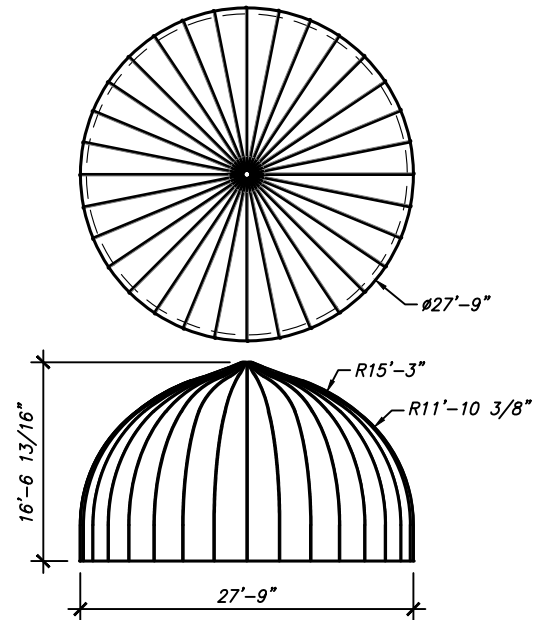
A-211

HEIGHT: 7'-8 7/8"  
WIDTH: 27'-8"



A-285

HEIGHT: 16'-6 13/16"  
WIDTH: 27'-9"



HEMI DOMES

SHEET NO.

A-43

2025

HEMISPHERE  
DOMES

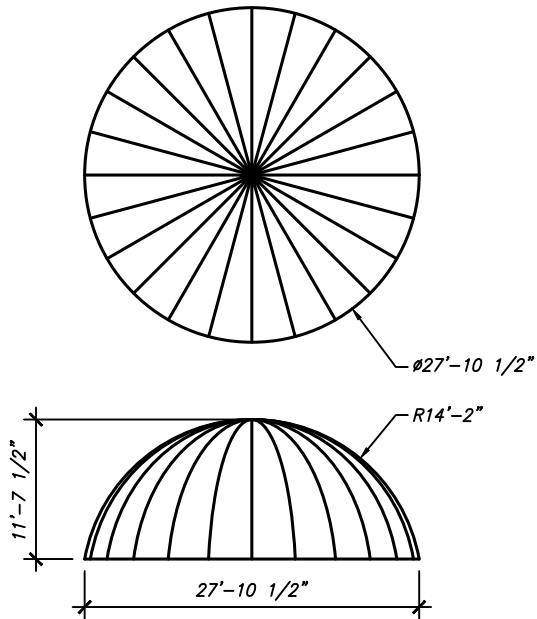


ARCHITECTURAL FIBERGLASS, INC.

8300 BESSEMER AVE., CLEVELAND, OHIO 44127-1839  
(216) 641-8300 - FAX:(216) 641-8150  
www.fiberglass-afi.com

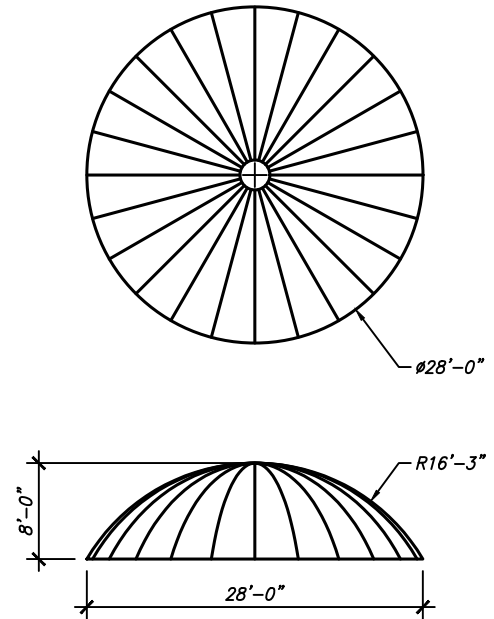
A-231

HEIGHT: 11'-7 1/2"  
WIDTH: 27'-10 1/2"



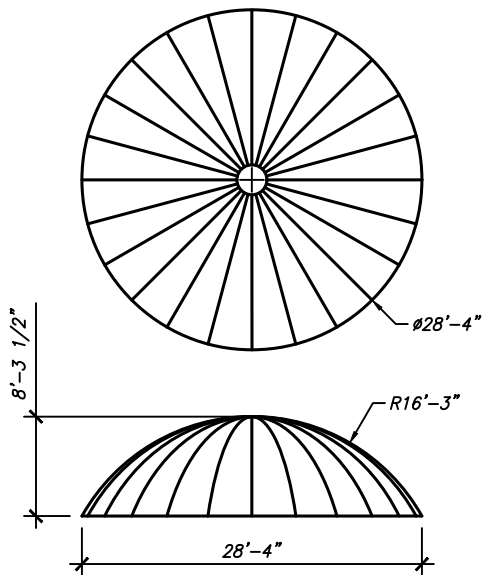
A-168

HEIGHT: 8'-0"  
WIDTH: 28'-0"



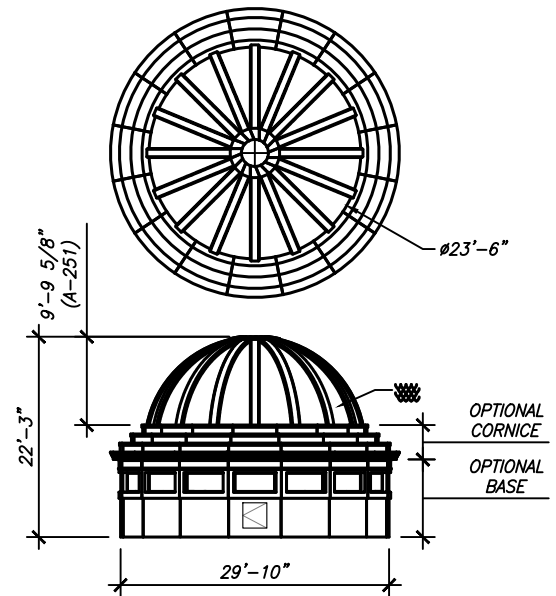
A-221

HEIGHT: 8'-3 1/2"  
WIDTH: 28'-4"



A-252

HEIGHT: 22'-3"  
WIDTH: 29'-10"



HEMI DOMES

SHEET NO.

A-44

2025

HEMISPHERE  
DOMES

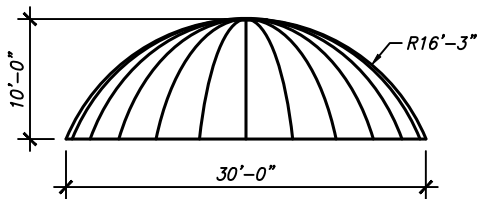
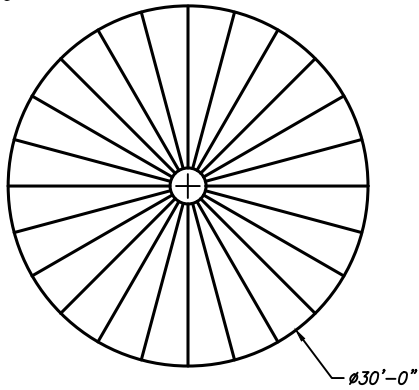


ARCHITECTURAL FIBERGLASS, INC.

8300 BESSEMER AVE., CLEVELAND, OHIO 44127-1839  
(216) 641-8300 - FAX:(216) 641-8150  
www.fiberglass-afi.com

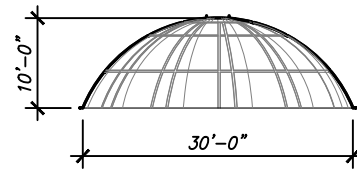
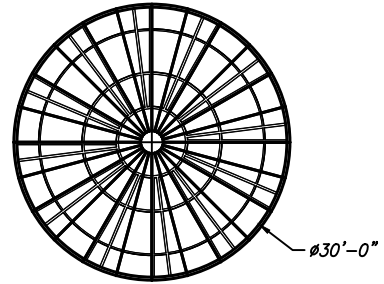
A-102

HEIGHT: 10'-0"  
WIDTH: 30'-0"



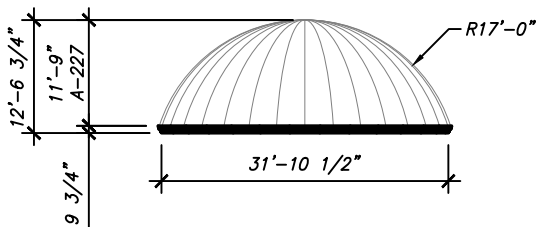
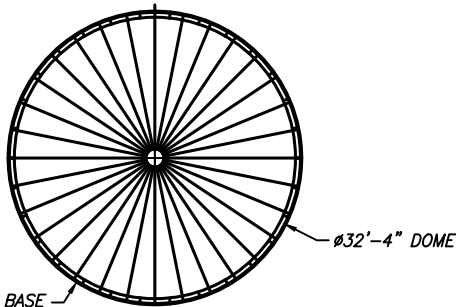
A-282int

HEIGHT: 10'-0"  
WIDTH: 30'-0"



A-273

HEIGHT: 9 3/4"  
WIDTH: 32'-7 1/2"



INTENTIONALLY LEFT BLANK

HEMI DOMES

SHEET NO.

A-45

2025

HEMISPHERE  
DOMES

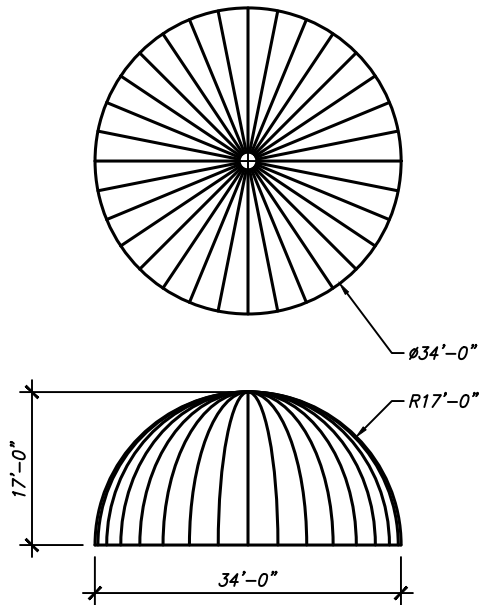


ARCHITECTURAL FIBERGLASS, INC.

8300 BESSEMER AVE., CLEVELAND, OHIO 44127-1839  
(216) 641-8300 - FAX:(216) 641-8150  
www.fiberglass-afi.com

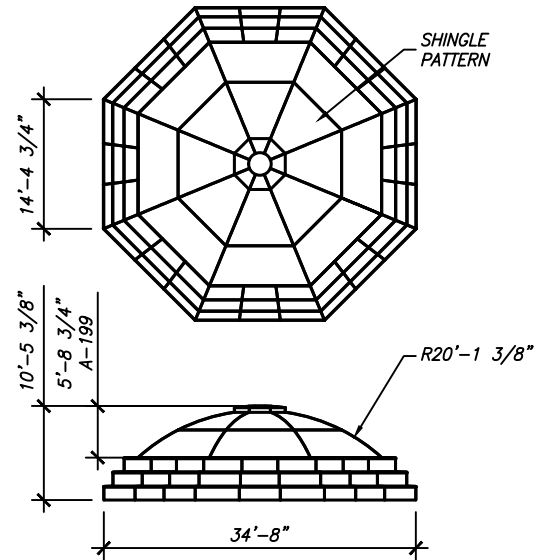
A-227

HEIGHT: 17'-0"  
WIDTH: 34'-0"



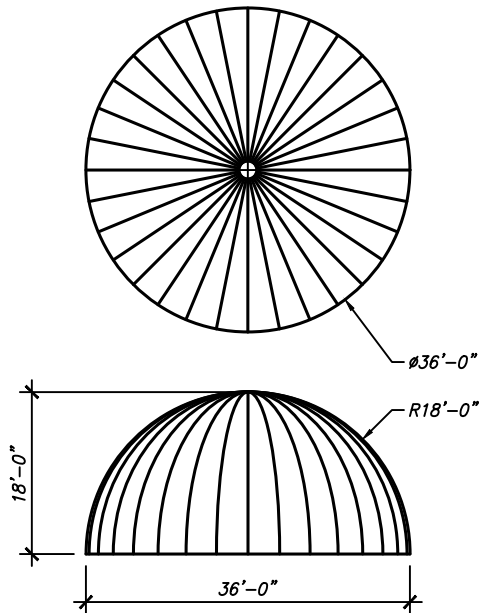
A-198

HEIGHT: 10'-5 3/8"  
WIDTH: 34'-8"



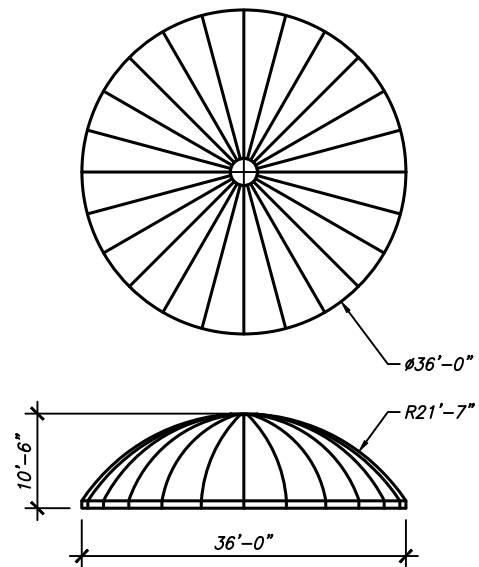
A-226

HEIGHT: 18'-0"  
WIDTH: 36'-0"



A-154

HEIGHT: 10'-6"  
WIDTH: 36'-0"



HEMI DOMES

SHEET NO.

A-46

2025

HEMISPHERE  
DOMES

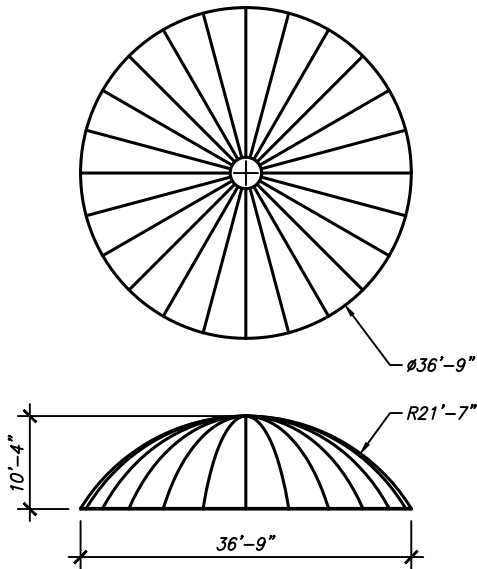


ARCHITECTURAL FIBERGLASS, INC.

8300 BESSEMER AVE., CLEVELAND, OHIO 44127-1839  
(216) 641-8300 - FAX:(216) 641-8150  
www.fiberglass-afi.com

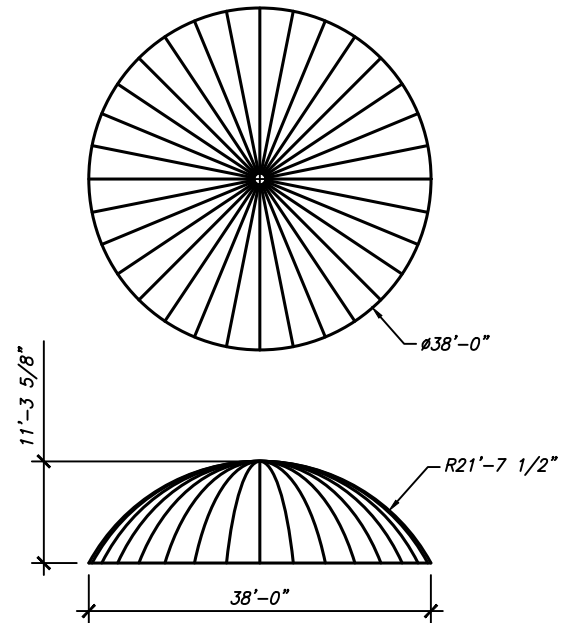
A-110

HEIGHT: 10'-4"  
WIDTH: 36'-9"



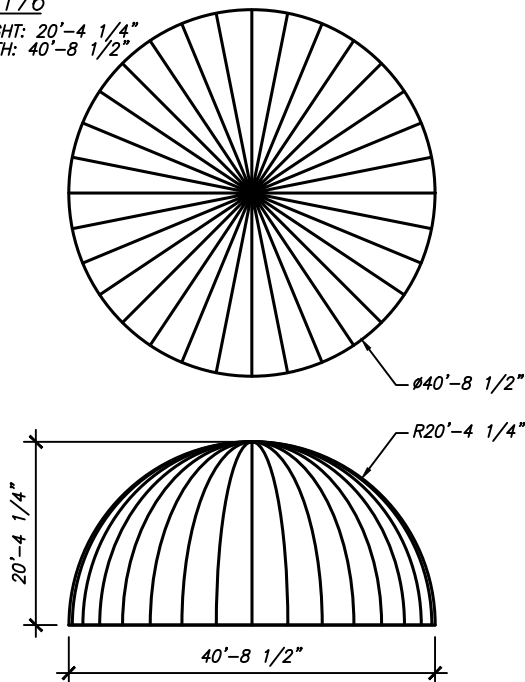
A-259

HEIGHT: 11'-3 5/8"  
WIDTH: 38'-0"



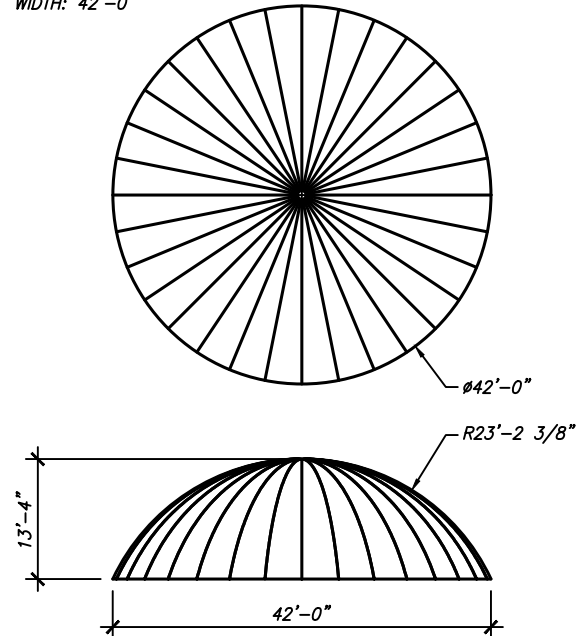
A-176

HEIGHT: 20'-4 1/4"  
WIDTH: 40'-8 1/2"



A-204

HEIGHT: 13'-4"  
WIDTH: 42'-0"



HEMI DOMES

SHEET NO.

A-47

2025

HEMISPHERE  
DOMES



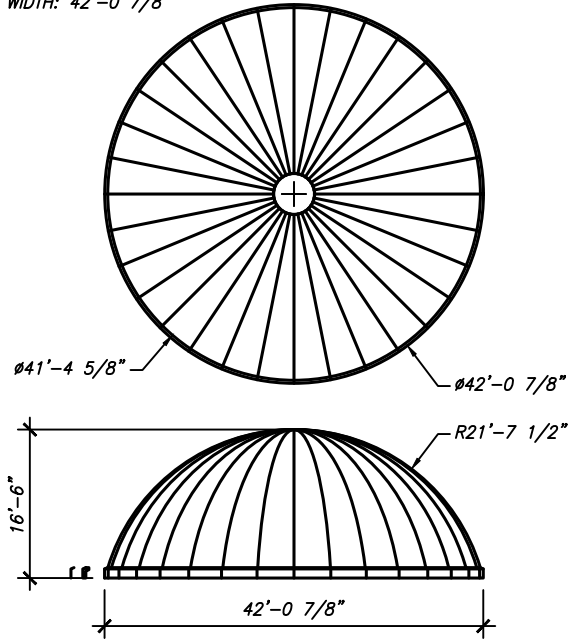
ARCHITECTURAL FIBERGLASS, INC.

8300 BESSEMER AVE., CLEVELAND, OHIO 44127-1839  
(216) 641-8300 - FAX:(216) 641-8150  
www.fiberglass-afi.com



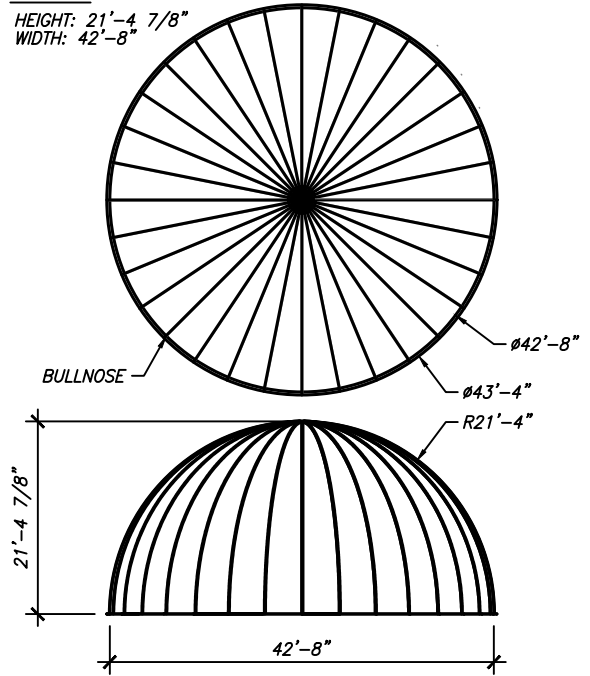
A-150

HEIGHT: 16'-6"  
WIDTH: 42'-0 7/8"



A-177

HEIGHT: 21'-4 7/8"  
WIDTH: 42'-8"



INTENTIONALLY LEFT BLANK

INTENTIONALLY LEFT BLANK

HEMI DOMES

SHEET NO.

A-48

2025

HEMISPHERE  
DOMES



ARCHITECTURAL FIBERGLASS, INC.

8300 BESSEMER AVE., CLEVELAND, OHIO 44127-1839  
(216) 641-8300 - FAX:(216) 641-8150  
www.fiberglass-afi.com